



(0,80mm) .0315"

QEM8 SERIES



EDGE RATE™ CONTACT GROUND PLANE

SPECIFICATIONS

For complete specifications and recommended PCB layouts see www.samtec.com?QEM8

Insulator Material:

Black LCP

Terminal Material:

Phosphor Bronze

Plating:

Au over 50µ" (1,27µm) Ni

Current Rating:

Testing Now!

Operating Temp Range:

Testing Now!

Voltage Rating:

Testing Now!

Max Cycles:

Testing Now!

RoHS Compliant:

Yes

Processing:

Lead-Free Solderable:

Yes

SMT Lead Coplanarity:

(0,10mm) .004" max

Board Mates:
QEF8



Edge wiping contacts for reduced broadside coupling

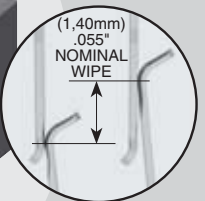
Integral metal plane for power or ground

Increased insertion depth and contact wipe

Footprint compatible with QTE Series

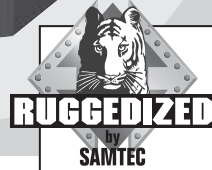
(0,80mm) .0315" pitch

Polarized



MATED HEIGHT*	
QEM8 LEAD STYLE	QEF8 LEAD STYLE
-05.0	(10,00) .394

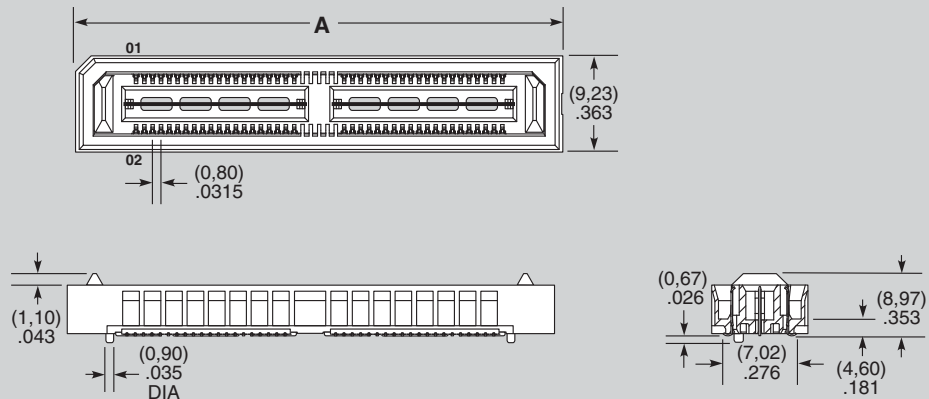
*Processing conditions will affect mated height.



- Edge Rate™ contacts
- Increased contact wipe

QEM8	NO. OF POSITIONS PER ROW	LEAD STYLE	PLATING OPTION	D	A	OTHER OPTION
	-020, -040, -060 (40 total positions per bank)	-05.0 = 5mm Body Height	-S = 30µ" (0,76µm) Gold on Signal Pins and Ground Plane, Matte Tin on tails -L = 10µ" (0,25µm) Gold on Signal Pins and Ground Plane, Matte Tin on tails			-K = (10,25mm) .404" DIA Polyimide Film Pick & Place Pad -TR = Tape & Reel Packaging

NO. OF POSITIONS	A
-020	(26,82) 1.056
-040	(46,82) 1.843
-060	(66,82) 2.631



Note: Some lengths, styles and options are non-standard, non-returnable.

Due to technical progress, all designs, specifications and components are subject to change without notice.

WWW.SAMTEC.COM