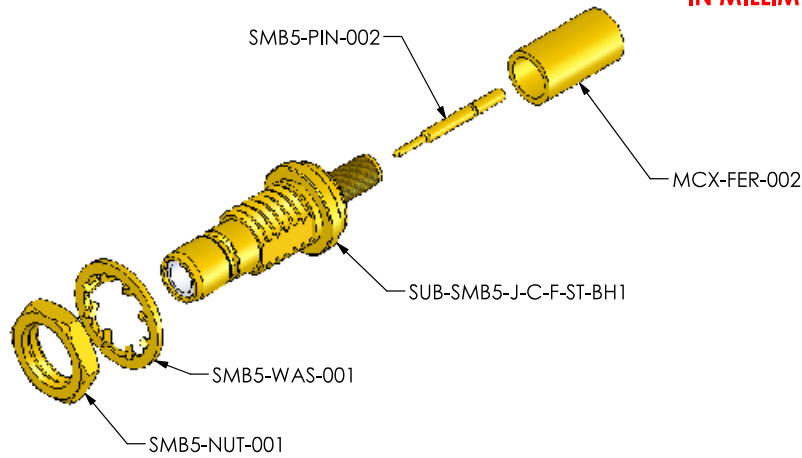


DO NOT SCALE FROM THIS PRINT

DESIGNED & DIMENSIONED IN MILLIMETERS [INCHES]

SMB5-J-C-H-ST-BH1



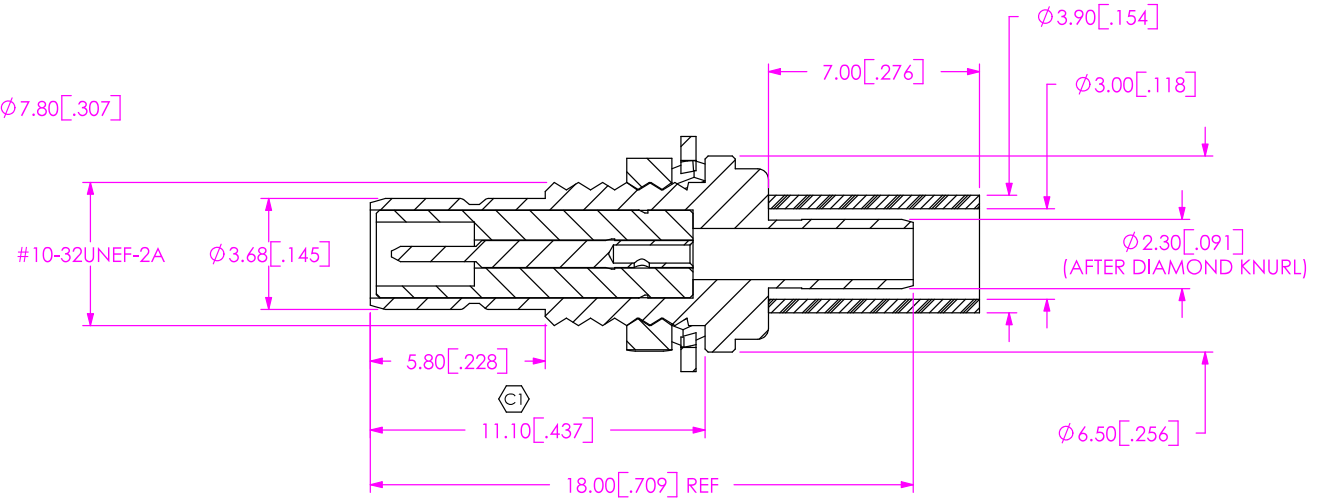
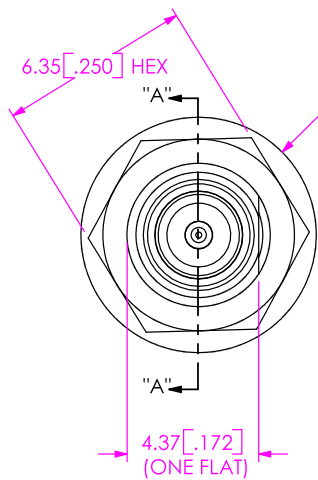
GENDER
-J: JACK

TYPE
-C: CABLE

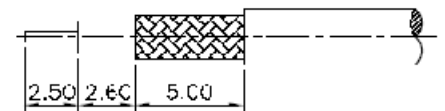
PLATING
-H: HEAVY GOLD

TERMINATION
-BH1: BULKHEAD

ORIENTATION
-ST: STRAIGHT



SECTION "A"- "A"
SCALE 4: 1



RECOMMENDED CABLE STRIPPING DIMENSIONS

NOTES:

1. Ⓢ REPRESENTS A CRITICAL DIMENSION.
2. COMPONENTS TO BE PACKAGED INDIVIDUALLY AND ASSEMBLY TO BE SOLD AS A KIT.
3. PLATING IS TO BE CHECKED.
4. MAX BURR ALLOWANCE: .051
5. FABRICATED PARTS MUST BE FREE OF SCRATCHES, TOOL MARKS, ETC.

TABLE 1: MATERIAL

SAMTEC PART No	ITEM	MATERIAL	FINISH
SUB-SMB5-J-C-F-ST-BH1	SHELL	BRASS C3604B	Cu0.75um Ni2.50um Au0.13um
	INSULATOR	TEFLON	-----
SMB5-PIN-002	PIN	BRASS C3602B	Cu0.75um Ni1.25um Au0.75um
SMB5-NUT-001	NUT	BRASS C3604B	Cu0.75um Ni1.258um Au0.08um
SMB5-WAS-001	WASHER	BRASS C26800	Cu0.75um Ni1.258um Au0.08um
MCX-FER-002	FERRULE	BRASS C3604B	Cu0.75um Ni2.50um

UNLESS OTHERWISE SPECIFIED, DIMENSIONS ARE IN MILLIMETERS.
TOLERANCES ARE:
DECIMALS .X: ±.3[0.01]
.XX: ±0.10[0.04]
.XXX: ±0.05[0.02]
ANGLES 5°

PROPRIETARY NOTE

THIS DOCUMENT CONTAINS INFORMATION CONFIDENTIAL AND PROPRIETARY TO SAMTEC, INC. AND SHALL NOT BE REPRODUCED OR TRANSFERRED TO OTHER DOCUMENTS OR DISCLOSED TO OTHERS OR USED FOR ANY PURPOSE OTHER THAN THAT WHICH IT WAS OBTAINED WITHOUT THE EXPRESSED WRITTEN CONSENT OF SAMTEC, INC.

MATERIAL: SEE TABLE 1
DO NOT SCALE DRAWING
SHEET SCALE: 5:1

SAMTEC

520 PARK EAST BLVD, NEW ALBANY, IN 47150
* PHONE: 812.944.6733 FAX: 812.948.5047
e-Mail: INFO@SAMTEC.COM CODE: 55322

DESCRIPTION: SMB STR JACK
DWG. NO. SMB5-J-C-H-ST-BH1
BY: TIM P. 04/05/2006 SHEET 1 OF 1