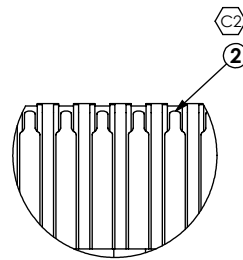
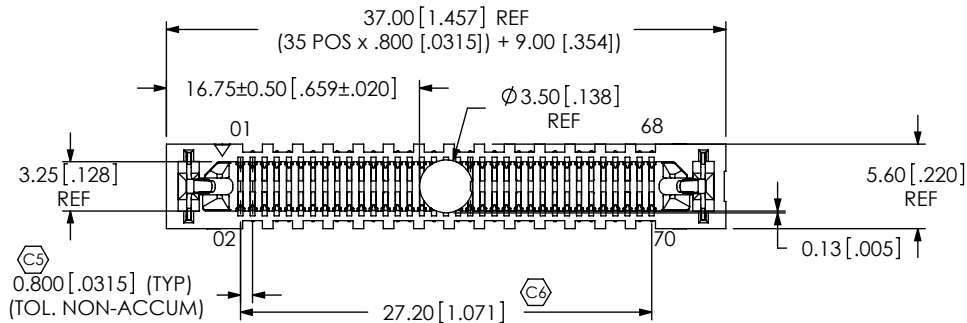


REVISION

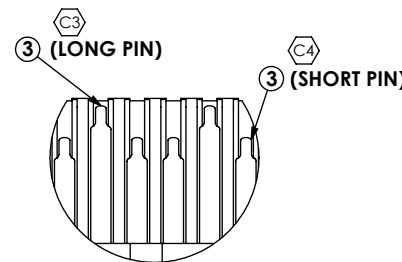
0	SS	D UNDERWOOD
10/11/2007 ECN-81424		
ISSUE FOR REVIEW		
1	RL	D Fletcher
5/13/2008 ECN-90758		
BOM CHG ITEMS FROM ASP-TRAY TO TY-ASP125.		
A	JB	D FRALEY
12/19/2008 ECN-102779		
RELEASE FOR PRODUCTION.		

NOTES:

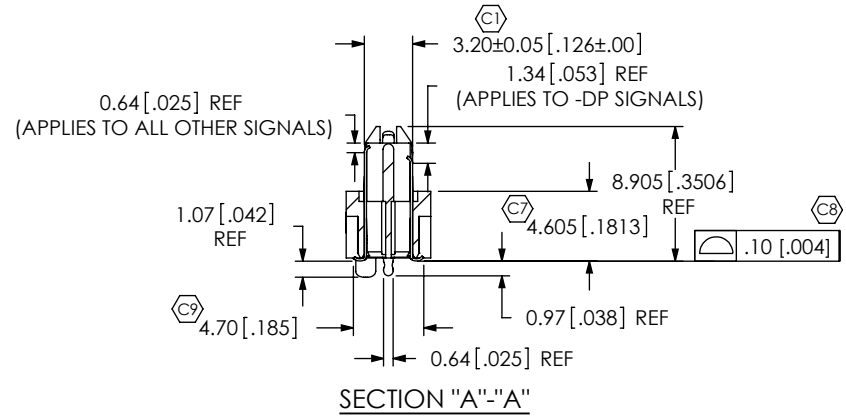
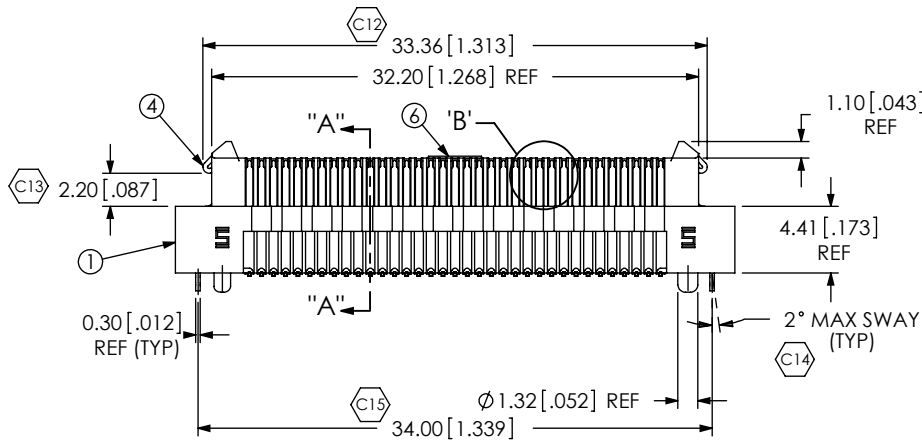
- CONTACT CONFIGURATION NOT AVAILABLE AS STANDARD.
- Ⓢ REPRESENTS A CRITICAL DIMENSION.
- MAXIMUM BURR ALLOWANCE: .038 [.0015].
- MINIMUM PUSHOUT FORCE: 2.22N [.5 LB].
- PARTS TO BE PACKAGED IN TRAYS.



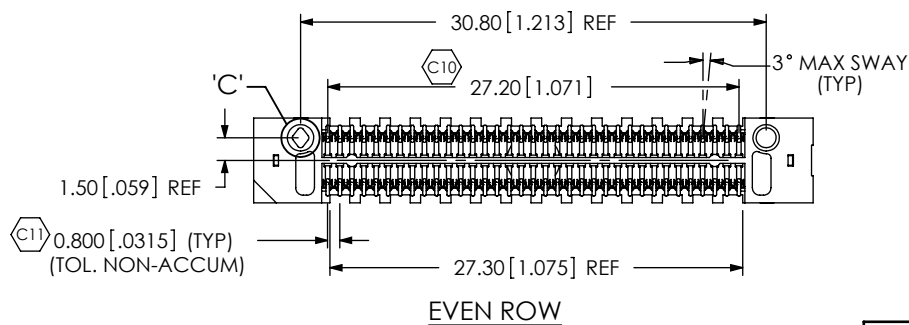
DETAIL 'B'
SCALE 6 : 1
SE SIDE



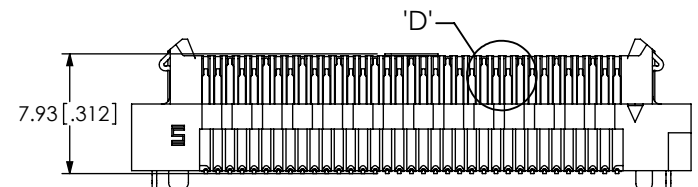
DETAIL 'D'
SCALE 6 : 1
DP SIDE



SECTION "A"- "A"



EVEN ROW




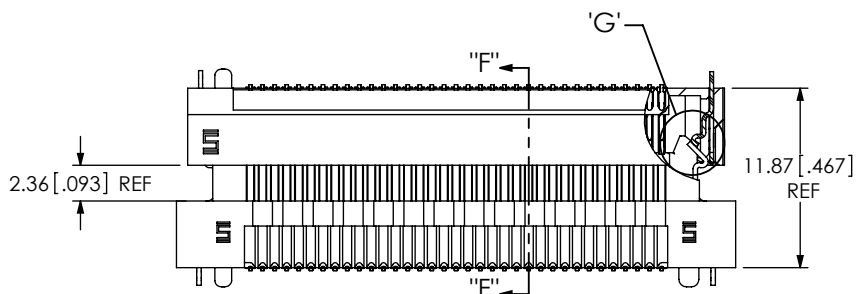
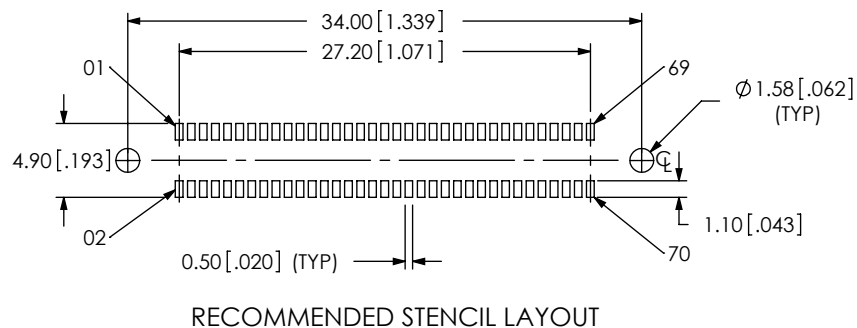
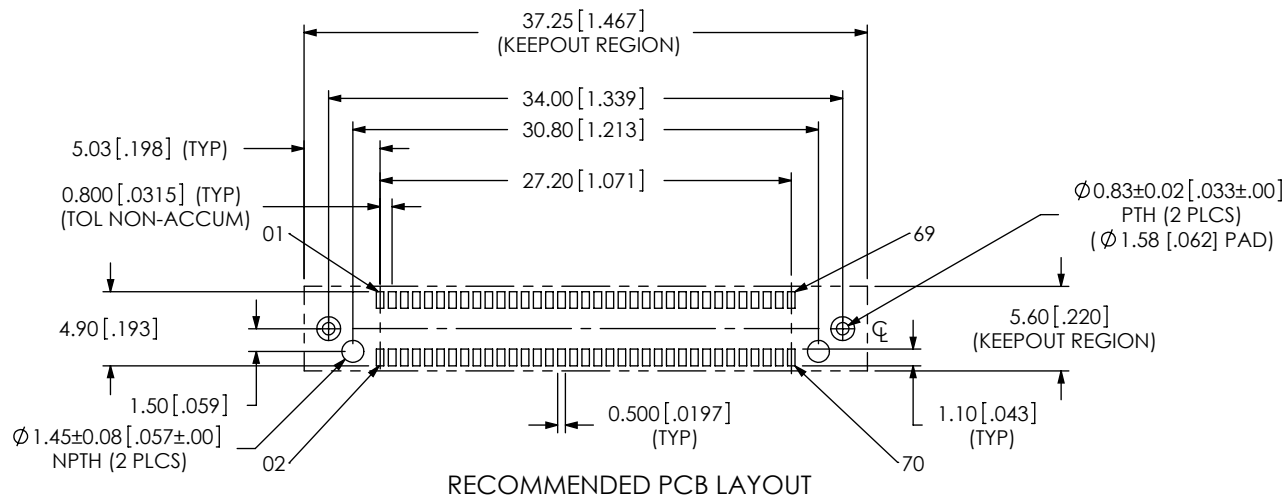
ODD ROW (DP SIDE, HOT PLUG SIDE)
(PIN ORIENTATION TO BE EXACTLY AS SHOWN)

DATE: _____
 COMPANY: _____
 CUSTOMER SIGNATURE _____
 PRINTED NAME _____
 PHONE NO: _____
 FAX NO: _____

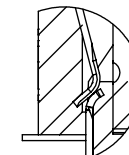
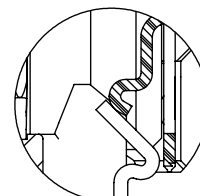
ACCEPTANCE OF DRAWING
 ACCEPTED WITH DEVIATIONS LISTED

ITEM NO.	PART NUMBER	QUANTITY	MATERIAL
1	ERM8-035-05.0-DV-L	1.0000	VECTRA E130i, COLOR: BLACK
2	T-1M37-05.0-S	35.0000	PHOS BRONZE, 510 SPRING TEMPER
3	T-M48-05.0-S	35.0000	PHOS BRONZE, 510 SPRING TEMPER
4	WT-29-03-F	2.0000	BeCu #25, 1/2 HT
5	TY-ASP125	.01786	BLACK HIPS
6	K-500-300	1.0000	POLYIMIDE FILM (KAPTON)

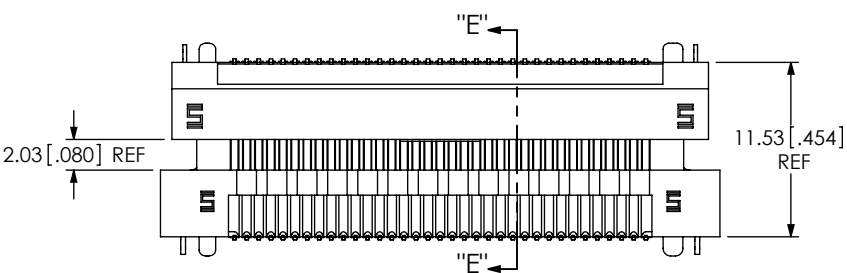
UNLESS OTHERWISE SPECIFIED, DIMENSIONS ARE IN INCHES. TOLERANCES ARE: DECIMALS ANGLES .X: ±.3[.01] 2° .XX: ±.13[.005] .XXX: ±.051[.0020]	PROPRIETARY NOTE THIS DOCUMENT CONTAINS INFORMATION CONFIDENTIAL AND PROPRIETARY TO SAMTEC, INC. AND SHALL NOT BE REPRODUCED OR TRANSFERRED TO OTHER DOCUMENTS OR DISCLOSED TO OTHERS OR USED FOR ANY PURPOSE OTHER THAN THAT WHICH IT WAS OBTAINED WITHOUT THE EXPRESSED WRITTEN CONSENT OF SAMTEC, INC.		
		520 PARK EAST BLVD., NEW ALBANY, IN 47150 PHONE: 812-944-6733 FAX: 812-948-5047 e-Mail: info@SAMTEC.com code: 55322	
DO NOT SCALE DRAWING SHEET SCALE: 2:1		DESCRIPTION: MODIFIED ERM8 ASSEMBLY	
PLATING: CONTACT AREA: .000030 GOLD OVER .000050 NICKEL REMAINDER: .000200 REF TIN OVER .000050 NICKEL LATCHES: .000003 GOLD OVER .000050 NICKEL		DWG. NO. ASP-135020-01	
F:\DWG\SW\ASP\135000\ASP-135020-01.slddrw		BY: S. SELLE 10-11-2007 SHEET 1 OF 2	



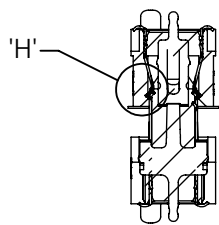
SECTION "F"-'F"



DETAIL "H" SCALE 6:1



PIN ENGAGING VIEW



SECTION "E"-'E"

PROPRIETARY NOTE

THIS DOCUMENT CONTAINS INFORMATION CONFIDENTIAL AND PROPRIETARY TO SAMTEC, INC. AND SHALL NOT BE REPRODUCED OR TRANSFERRED TO OTHER DOCUMENTS OR DISCLOSED TO OTHERS OR USED FOR ANY PURPOSE OTHER THAN THAT WHICH IT WAS OBTAINED WITHOUT THE EXPRESSED WRITTEN CONSENT OF SAMTEC, INC.

SHEET SCALE: 2:1



520 PARK EAST BLVD, NEW ALBANY, IN 47150
 PHONE: 812-944-6733 FAX: 812-948-5047
 e-Mail: info@SAMTEC.com code: 55322

DESCRIPTION: MODIFIED ERM8 ASSEMBLY

DWG. NO. ASP-135020-01

BY: S. SELLE 10-11-2007 SHEET 2 OF 2