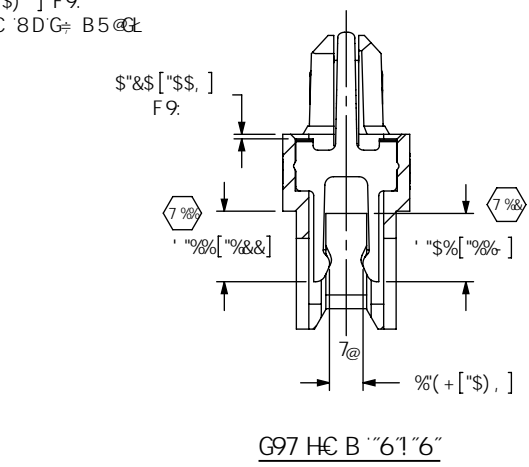
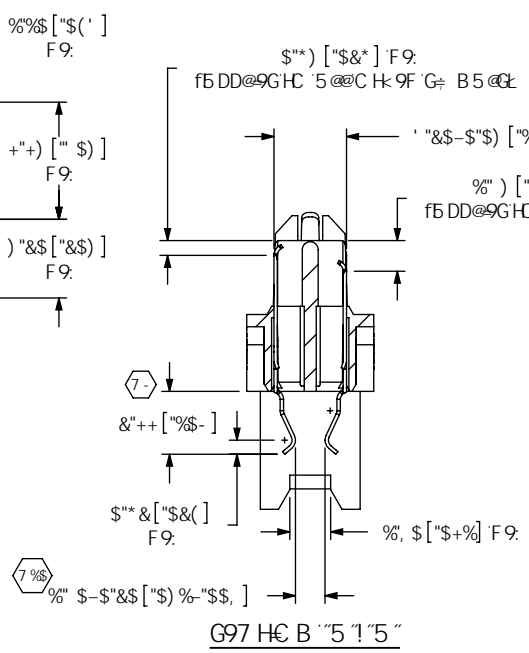
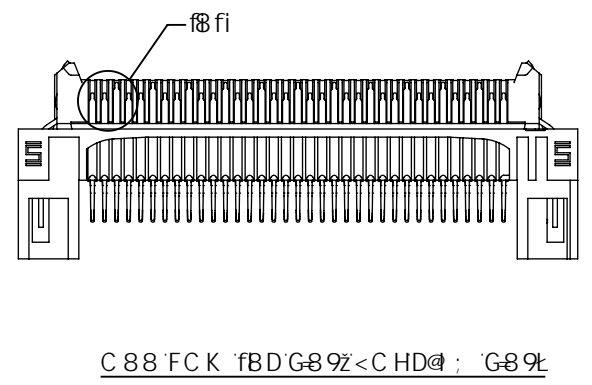
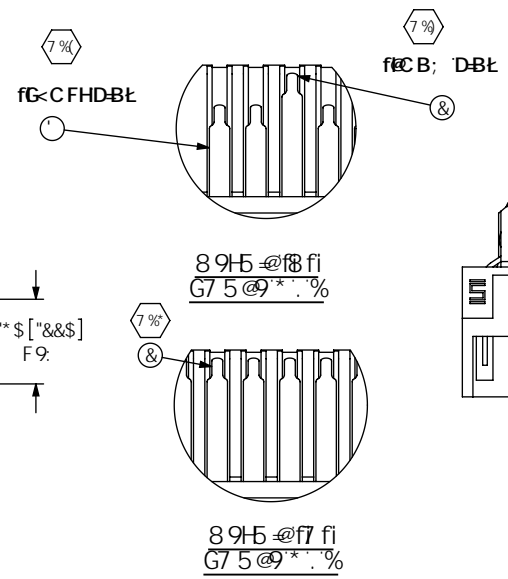
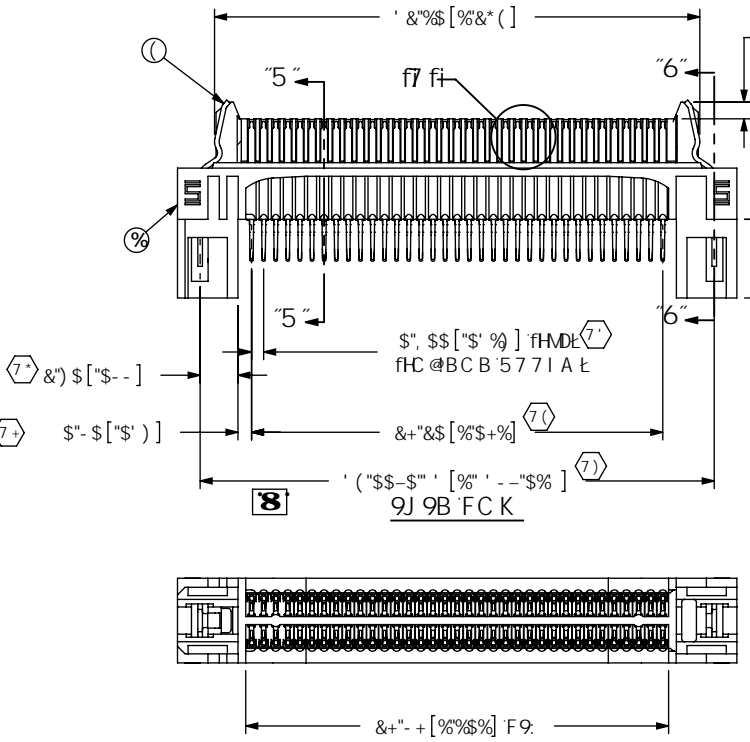
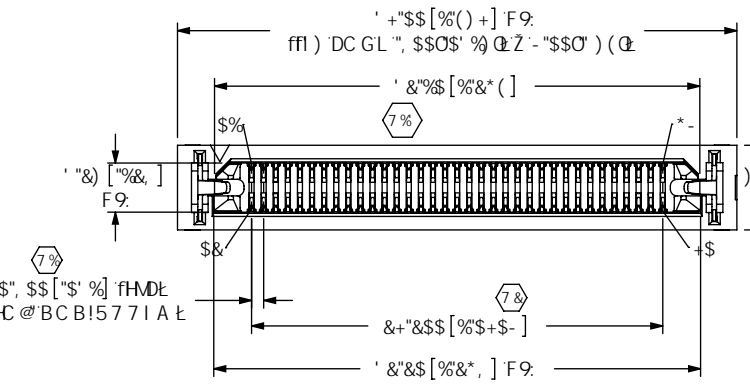


5GD!)\$(!\$%)  
**F9J GCB**  
 0 DU D FRALEY  
 11/8/2007 ECN-82901  
 ISSUE FOR REVIEW.  
 A RL D Fletcher  
 5/13/2008 ECN-90764  
 RELEASE FOR PRODUCTION; BOM: CHG ITEM 5 FROM ASP-TRAY TO TY-ASP126.  
 B JB D FRALEY  
 10/9/2008 ECN-98693  
 SHT 1, BOM: CHG WT-29-01-F TO WT-29-07-F; TOP VIEW: ADD DIM 32.20 REF. FRONT VIEW: DEL DIM 32.20 REF. ADD DIM 32.10, SHT 2; RECOMMENDED PCB LAYOUT: CHG DIM 3.302 TO 3.402.  
 C AC J FREEMAN  
 12/31/2008 ECN-103112  
 BOM: CHG QTY FOR EACH PIN FROM 14.00 TO 35.00  
 D JB D FRALEY  
 4/6/2009 ECN-108210  
 FRONT VIEW: CHG C5 DIM 34.00 TO 34.00 ± .33

85H:  
 7CA D5BM  
 71 GCA 9F G: B5H F9  
 DF-BH98 B5A 9  
 D-C B9BC:  
 :5L Bc.

ITEM NO.	PART NUMBER	QUANTITY	MATERIAL
1	ASP-136452-02-B	1.00	VECTRA E130i, COLOR:BLACK
2	T-1M47-01-S	35.00	PHOS BRONZE, 521 HT
3	T-1M47-03-S	35.00	PHOS BRONZE, 521 HT
4	WT-29-07-F	2.00	BeCu #25, 1/2 HT
5	TY-ASP126	.01786	BLACK HIPS

BCH9G  
 %" #DA % / 7CBH57H7CB: ÷ I F5HC B'CH5J 5-66@95GG5B85F8"  
 &" (7) F9DF 9G9BHG5 7F#H 5@8A 9BGC B"  
 " "A 5L A I A '6I FF 5@C K 5B79. "\$ , OS\$%) Q  
 ("A B A I A 'DI G-C I H: CF79. '&&B 'O) @CQ  
 )" D5FHGC 69D57?5; 98 'B H 5M'



89G: B98 / 8A 9BGC B98  
 -B A @A 9HFG B7 < 9CQ

I B @GG C H-9FK 69 'GD97 = 98Z  
 8A 9BGC BG5F9-B A @A 9HFG'  
 HC @F5B79G 5F9.  
 897 A 5@G .....5B: @9G  
 "L. ±" OS%Q .....&"  
 "LL. ±% OS\$) O  
 "LLL. ±%) OS\$&Q

D F C D F-9H F M B C H P  
 H-68C 71A 98H7CBH58GB: CFA 5HC B  
 7C B: 89B H5 @5B8 DFC DF 9H F M C  
 G5A H7 Z B7 5B8 G: 5@B C H69F 90FC 81 7 98  
 C F H5B G 9F 98 H C C H-9F B C 71 A 9B H G C F  
 847 @C 98 H C C H-9F G C F I 098 : C F 5 B M  
 DI FDC 09 C H-9F H5 B H-5HK <7 < HK 5G  
 C 6H5 898 K H C I H H-99L DF 9G98 K F H H8  
 7 C B 98 H C: G5A H7 Z B7



)&\$ D5F? 95GH6@ 8ZB9K 5@65BMZ-B (+%) \$  
 D<C B9: %&L-((1+\* .....5L: %&L- (, ) S(+  
 YIA UJ: bZ:4 G5A H7 'w:a .....VeXY:)) &&

8C 'BCH G7 5@9 8F5K B: G: 99HG7 5@9. "%  
 D#5HB: .  
 7C B H57 H5F 95. "SSSS' S: C @C C J 9F "SSSS' S B 7 79@  
 F9A 5 B 8 9F. "SSSS' F9: HB C J 9F "SSSS' S B 7 79@  
 @5H < 9G "SSSS' : C @C C J 9F "SSSS' S B 7 79@

89G7 F@HC B.  
 A C 8 ÷ 98 '9FA , 5GG9A 6@M  
 8K: "BC"  
 5GD!)\$(!\$%)  
 6M 8 1 B 89FK C C 8 %&H/#, \$+ G< 99H% C: &

:PBK: PKG P5GD%) \$\$\$P5GD!) \$(S)S%G@B BFK

