

# SiliconBlade Socket

## SBS Series

### Specifications

**Insulator Material:**

Black Liquid  
Crystal Polymer

**Contact:**

BeCu

**Plating:**

Au over 50 $\mu$ " (1,27 $\mu$ m)  
Ni on contact

**Current Rating:**

3.1A @ 30°C Temperature Rise

**Operating Temp:**

-55°C to +125°C

**RoHS Compliant:**

Yes

**Processing:**

*Max Processing Temp:*

230°C for 60 seconds, or  
260°C for 20 seconds 3x

*Lead-Free Solderable:*

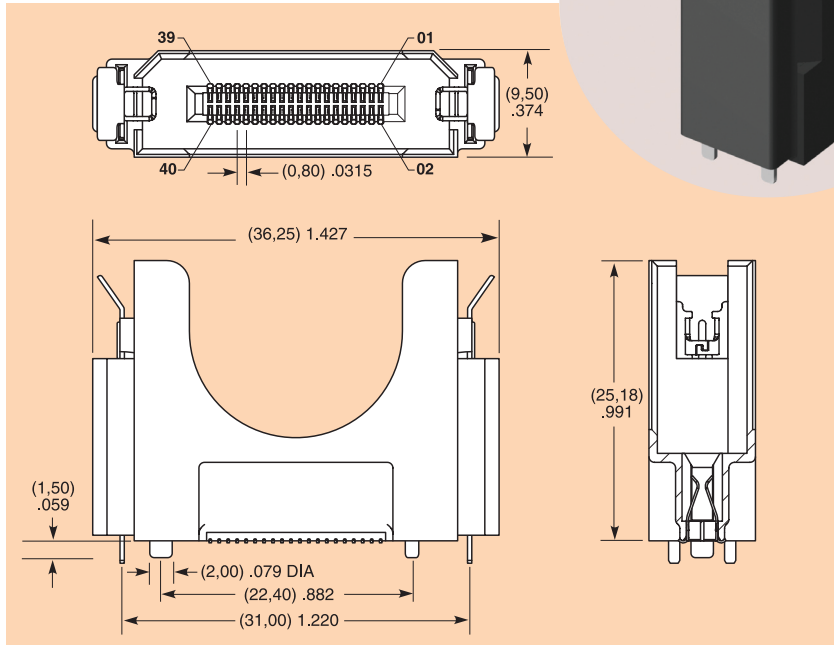
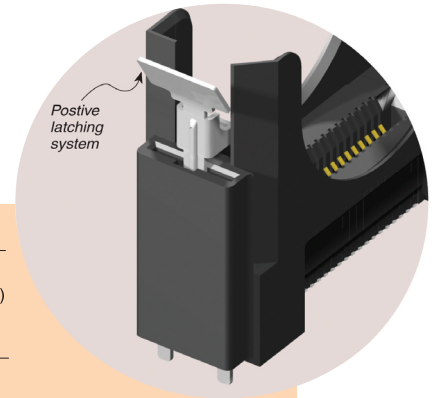
Yes

*SMT Lead Coplanarity:*

(0,10mm) .004" max

For complete specifications,  
ordering information, and  
recommended PCB layouts  
see [www.samtec.com?SBS](http://www.samtec.com?SBS)

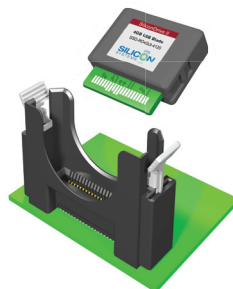
Email: [SiliconBlade@samtec.com](mailto:SiliconBlade@samtec.com)



### Highlights

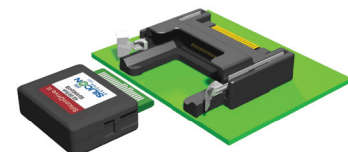
- User-friendly SiliconDrive Blade insertion and extraction
- Supports a wide array of popular interfaces
- Deep polarizing guide rails add mechanical support and assure proper insertion
- Robust retention latches include anti-overstress features
- Latches solder to PCB adding socket attachment strength and stability
- Polarizing posts add stability and assure proper socket placement
- Proven high-speed rugged, high-cycle Edge Rate contact
- Vibration dampening contact system
- Vertical and right angle sockets consume less PCB board space
- Lightweight design
- RoHS compliant

Part #SSD-RXXU(I)-4120



Part # SBS-120-01-S-DV-A-ML

Vertical SiliconBlade Socket Attachment



Part # SBS-120-01-S-DH-WT-ML

Right Angle SiliconBlade Socket

**samtec**

To learn more, visit  
[www.samtec.com](http://www.samtec.com)