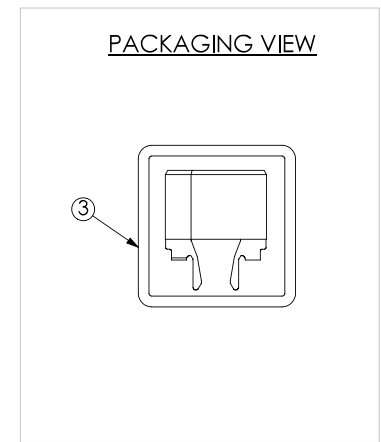
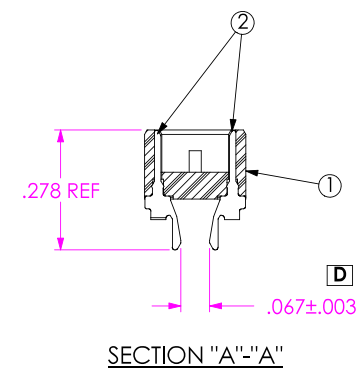
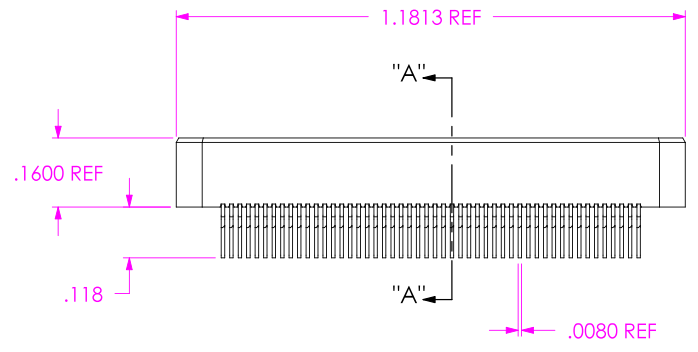
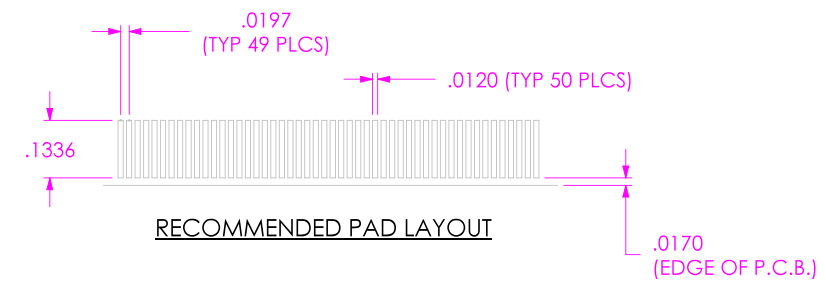
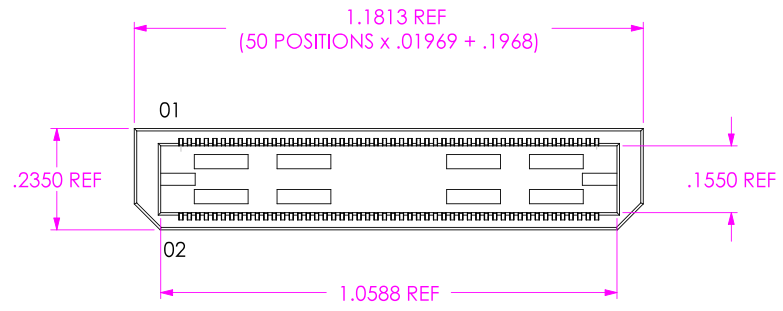
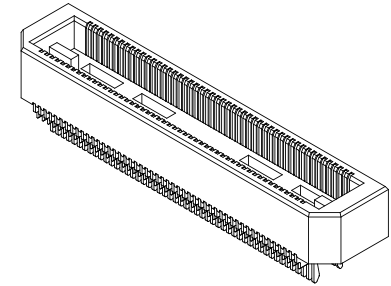


REVISION

A	DP	J FERRY
3/8/2000	ECN-1249	
ITEM 2: CHG ASP-71542-01-H TO T-1542-01-H		
B	TW	J FERRY
8/28/2001	ECN-11924	
ADD .278 REF TO OVERALL HEIGHT IN SIDE VIEW & REMOVE .2480 DIM. ADD .118 TAIL LENGTH DIM IN FRONT VIEW.		
C	GP	M BAUMANN
5/13/2002	ECN-18171	
SHOW PIN 1 POSITION. CHG ITEM-3 FROM PT-1-24-05-09 TO PT-1-24-01-27. CHG ITEM-4 FROM TP-07 TO TP-03.		
D	GP	M BAUMANN
5/5/2003	ECN-25477	
GAPOENING FROM .063 TO .067 +/- .003		



- NOTES:
1. NON STANDARD 50 POSITION, EDGE MOUNT AND PLATING. SPECIAL TERMINAL FOR .062" THICK BOARD.
 2. Ⓢ REPRESENTS A CRITICAL DIMENSION.
 3. MINIMUM PUSHOUT FORCE: 8 OZ.
 4. PARTS TO BE PACKAGED IN TUBES.

ITEM NO.	PART NUMBER	QUANTITY	MATERIAL
1	BTH-050-01-D	1.0000	VECTRA E130i, COLOR: BLACK
2	T-1542-01-H	100.00	PHOS BRONZE, 510 SPRING TEMPER
3	PT-1-24-01-27	0.06667	ANTI-STATIC PVC
4	TP-03	0.13333	THERMOPLASTIC RUBBER

UNLESS OTHERWISE SPECIFIED, DIMENSIONS ARE IN INCHES. TOLERANCES ARE:
 DECIMALS ANGLES
 .XX: ±.01 2°
 .XXX: ±.005
 .XXXX: ±.0020

PROPRIETARY NOTE
 THIS DOCUMENT CONTAINS INFORMATION CONFIDENTIAL AND PROPRIETARY TO SAMTEC, INC. AND SHALL NOT BE REPRODUCED OR TRANSFERRED TO OTHER DOCUMENTS OR DISCLOSED TO OTHERS OR USED FOR ANY PURPOSE OTHER THAN THAT WHICH IT WAS OBTAINED WITHOUT THE EXPRESSED WRITTEN CONSENT OF SAMTEC, INC.

SAMTEC
 520 PARK EAST BLVD, NEW ALBANY, IN 47150
 PHONE: 812.944.6733 FAX: 812.948.5047
 e-Mail: INFO@SAMTEC.COM CODE: 55322

DO NOT SCALE DRAWING SHEET SCALE: 2.25:1

PLATING:
 CONTACT AREA: .000030 GOLD OVER .000050 NICKEL
 REMAINDER: .000003 GOLD FLASH OVER .000050 NICKEL

DESCRIPTION:
 .5mm DOUBLE ROW TERMINAL ASSEMBLY

DWG. NO. **ASP-65267-02**

BY: DEAN P 12/2/1999 SHEET 1 OF 1