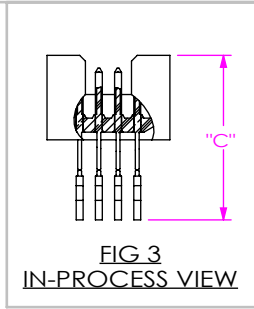


DO NOT SCALE FROM THIS PRINT

NOTES:

1. $\text{\textcircled{C}}$ REPRESENTS A CRITICAL DIMENSION.
2. MINIMUM PUSHOUT FORCE: .5 LBS.
3. DUE TO THE HIGH AMOUNT OF INSERTION FORCE NEEDED, THE -LC OPTION IS NOT COMPATIBLE WITH AUTO PLACEMENT. SAMTEC RECOMMENDS MANUAL PLACEMENT FOR ALL ASSEMBLIES WITH THE -LC OPTION.



MOLC-1XX-XX-XX-Q-XX

NO OF POSITIONS

- 05, -10, -12, -15,
- 20, -25, -30, -35,
- 40, -45, -50

OPTION

- LC: LOCKING CLIP
USE 2 LC-05-TM
(SEE FIG 2, NOTE 3)

LEAD STYLE (SEE TABLE 1)

- 01: THROUGH HOLE
- 11: THROUGH HOLE
- 31: THROUGH HOLE
- 61: THROUGH HOLE

BODY SPECIFICATION

- Q: FOUR ROW

PLATING SPECIFICATIONS

(SEE TABLE 1)

- S: SELECTIVE, 30 Au / 50 Ni MIN ON CONTACT, MATTE TIN TAIL
- SM: SELECTIVE, 30 Au / 50 Ni MIN ON CONTACT, MATTE TIN TAIL
- L: LIGHT SELECTIVE, 15 Au / 50 Ni MIN ON CONTACT, MATTE TIN TAIL
- H: HEAVY GOLD, 30 μ " GOLD IN CONTACT AREA, GOLD FLASH ON TAIL (AVAILABLE TO EXISTING CUSTOMERS ONLY)

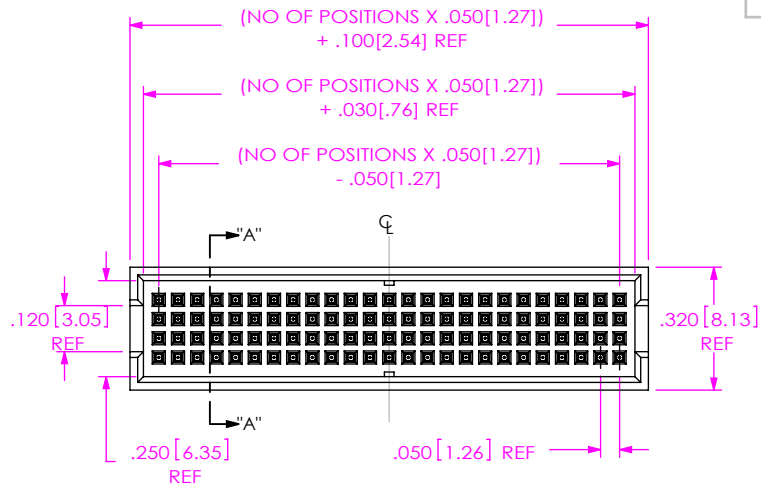
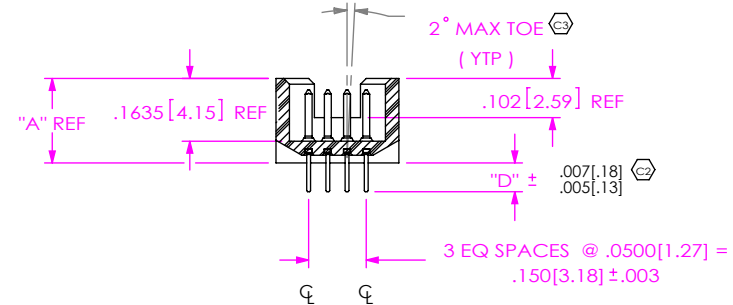
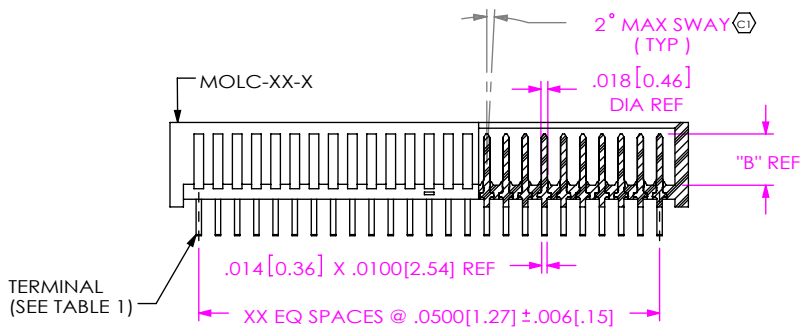


TABLE 1							
LEAD STYLE	PLATING	"A"	"B"	"C"	"D"	USE TERMINAL	USE BODY
-01	-S, -SM, -L	.2200[5.59]	.1335[3.39]	.4285[10.88]	.075[1.91]	T-1R16-01-X-2	MOLC-XX-Q-01
-11	-S, -SM, -L	.2885[7.33]	.1435[3.65]	.6400[16.26]	.075[1.91]	T-1R20-03-XXX	MOLC-XX-Q-02
-31	-S, -SM, -L	.4335[11.01]	.1435[3.65]	.6400[16.26]	.075[1.91]	T-1R20-02-XXX	MOLC-XX-Q-04
-61	-S, -SM, -L	.2200[5.58]	.1435[3.65]	.6400[16.26]	.140[3.56]	T-1R16-04-XXX	MOLC-XX-Q-01



SECTION "A"-"A"

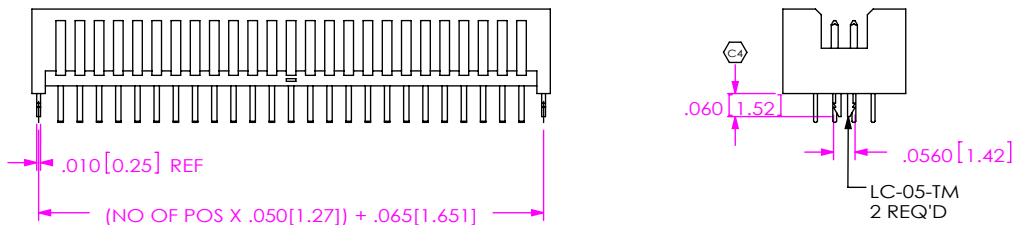


FIG 2
-LC OPTION
SAME AS FIG 1 UNLESS OTHERWISE SHOWN

F:\DWG\MISC\MKTG\MOLC-1XX-XX-XX-Q-XX-MKT.SLDDRW

UNLESS OTHERWISE SPECIFIED, DIMENSIONS ARE IN INCHES.

TOLERANCES ARE:

- DECIMALS
- ANGLES 2°
- .XX: \pm .01 [.3]
- .XXX: \pm .005 [.13]
- .XXXX: \pm .0020 [.051]

PROPRIETARY NOTE

THIS DOCUMENT CONTAINS CONFIDENTIAL AND PROPRIETARY INFORMATION AND ALL DESIGN, MANUFACTURING, REPRODUCTION, USE, PATENT RIGHTS AND SALES RIGHTS ARE EXPRESSLY RESERVED BY SAMTEC, INC. THIS DOCUMENT SHALL NOT BE DISCLOSED, IN WHOLE OR PART, TO ANY UNAUTHORIZED PERSON OR ENTITY NOR REPRODUCED, TRANSFERRED OR INCORPORATED IN ANY OTHER PROJECT IN ANY MANNER WITHOUT THE EXPRESS WRITTEN CONSENT OF SAMTEC, INC.



520 PARK EAST BLVD, NEW ALBANY, IN 47150
PHONE: 812-944-6733 FAX: 812-948-5047
e-Mail: info@SAMTEC.com code: 55322

MATERIAL: DO NOT SCALE DRAWING SHEET SCALE: 2:1
INSULATOR:
VECTRA E130, LCP, UL 94 V0
COLOR: BLACK

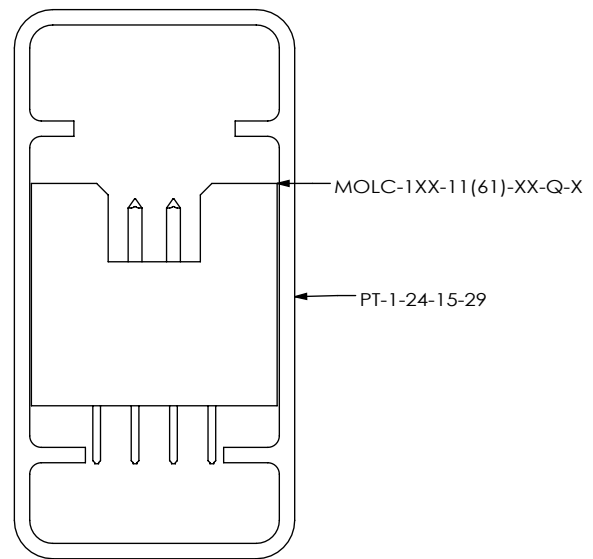
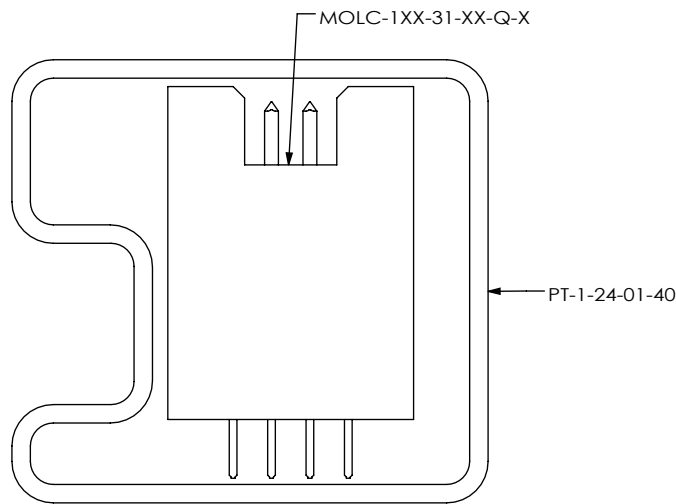
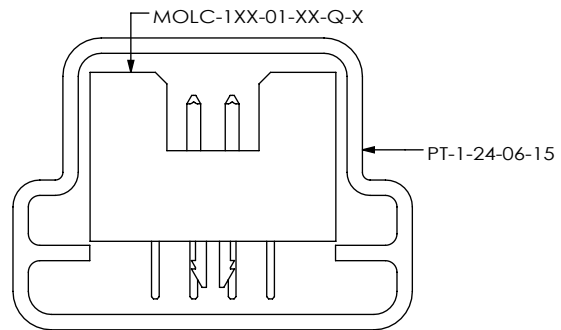
TERMINAL:
PHOS BRONZE, CA540 1/2 HARD

DESCRIPTION:
THROUGH HOLE .050 X .050


DWG. NO. MOLC-1XX-XX-XX-Q-XX

BY: T WHELAN 05/23/05 SHEET 1 OF 2

FIG 4
PACKAGING VIEWS
REF TABLE 2



LEAD STYLE	PACKAGING TUBE	PLUG
-01	PT-1-24-06-15	TP-09
-11	PT-1-24-15-29	TP-07
-31	PT-1-24-01-40	TP-13
-61	PT-1-24-15-29	TP-07

<p>UNLESS OTHERWISE SPECIFIED, DIMENSIONS ARE IN INCHES. TOLERANCES ARE: DECIMALS ANGLES .XX: ±.01 [.3] 2° .XXX: ±.005 [.13] .XXXX: ±.0020 [.051]</p>	<p>PROPRIETARY NOTE * THIS DOCUMENT CONTAINS CONFIDENTIAL AND PROPRIETARY INFORMATION AND ALL DESIGN, MANUFACTURING, REPRODUCTION, USE, PATENT RIGHTS AND SALES RIGHTS ARE EXPRESSLY RESERVED BY SAMTEC, INC. THIS DOCUMENT SHALL NOT BE DISCLOSED, IN WHOLE OR PART, TO ANY UNAUTHORIZED PERSON OR ENTITY NOR REPRODUCED, TRANSFERRED OR INCORPORATED IN ANY OTHER PROJECT IN ANY MANNER WITHOUT THE EXPRESS WRITTEN CONSENT OF SAMTEC, INC.</p>	 <p>520 PARK EAST BLVD, NEW ALBANY, IN 47150 PHONE: 812-944-6733 FAX: 812-948-5047 e-Mail: info@SAMTEC.com code: 55322</p>
<p>F:\DWG\MISC\MKTG\MOLC-1XX-XX-XX-Q-XX-MKT.SLDDRW</p>		<p>BY: T WHELAN 05/23/05 SHEET 2 OF 2</p>