

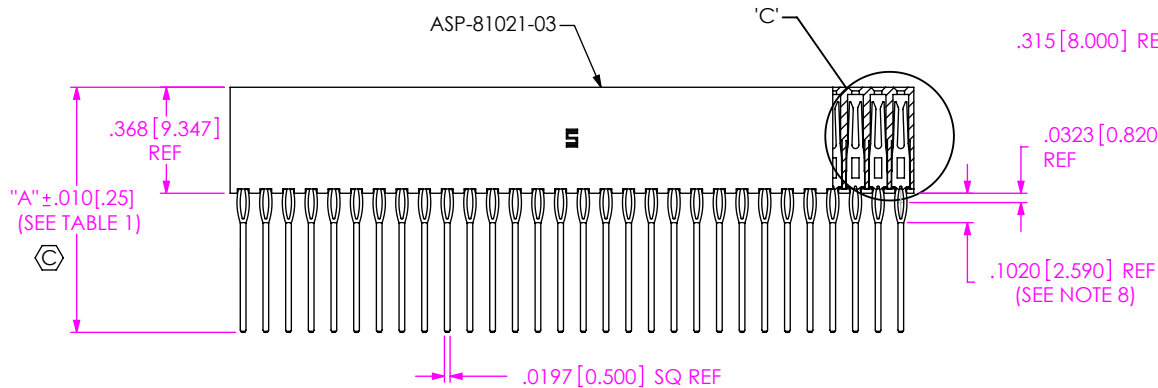
No OF POSITIONS  
02 THRU 30 PER ROW

LEAD STYLE  
-02: (USE ASP-71280-XX-X)  
-03: (USE ASP-71716-XX-X)

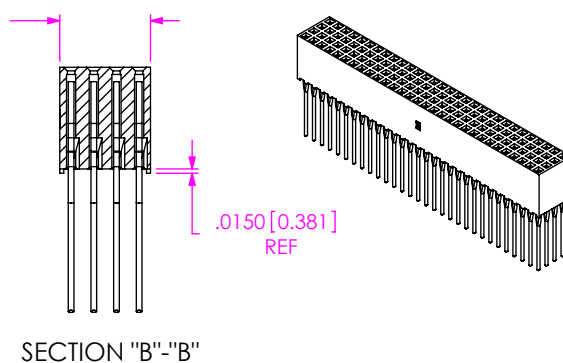
BOARD STACK HEIGHT

ROW SPECIFICATION  
-Q: QUAD ROW  
(USE ASP-81021-03)

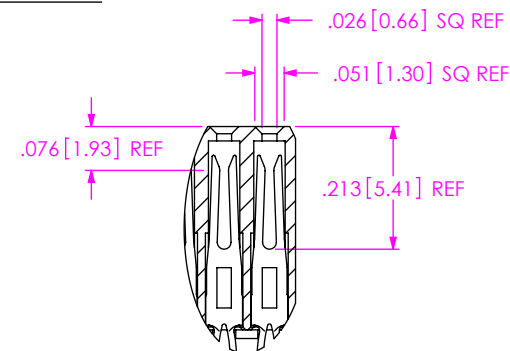
PLATING SPECIFICATION  
-G: (USE ASP-71280-02-G)  
-02 LEAD STYLE ONLY  
-M: (USE ASP-71716-02-M)  
-03 LEAD STYLE ONLY  
-H: (USE ASP-71716-03-H)  
-03 LEAD STYLE ONLY  
-MM: (USE ASP-71716-02-MM)  
-03 LEAD STYLE ONLY  
-GF: (USE ASP-71280-07-GF)  
-02 LEAD STYLE ONLY



SECTION "A"-"A"



SECTION "B"-"B"

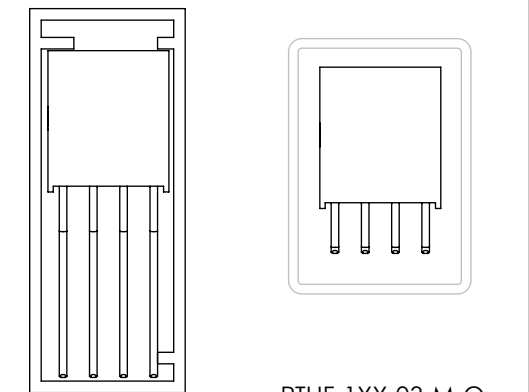


DETAIL 'C'  
SCALE 3:1

NOTES:

1. Ⓢ REPRESENTS A CRITICAL DIMENSION..
2. MAXIMUM BURR ALLOWANCE: .0015[0.04]
3. MAXIMUM CUT FLASH: .010[0.25]
4. MINIMUM PUSHOUT FORCE: .5 LB
5. MAXIMUM ALLOWABLE BOW: .002[0.05] INCH/INCH AFTER ASSEMBLY.
6. DELETED
7. 5 THRU 30 POSITION PARTS TO BE TUBE PACKAGED, 2 THRU 4 POSITION PARTS TO BE BULK PACKAGED.
8. SEE SAMTEC'S RECOMMENDED PCB FOOTPRINT FOR PROPER BOARD LAYOUT.

STYLE	"A"
-02	.850[21.59]
-03	.486[12.34]



PTHF-1XX-02-G-Q  
TUBE: PT-1-24-02-51  
PLUG: TP-26

PTHF-1XX-03-M-Q  
TUBE: PT-1-24-01-52  
PLUG: TP-13

PACKAGING VIEWS

UNLESS OTHERWISE SPECIFIED, DIMENSIONS ARE IN INCHES. TOLERANCES ARE:  
DECIMALS ANGLES  
.XX: ±.01 [0.3] 2°  
.XXX: ±.005 [0.13]  
.XXXX: ±.0020 [0.051]

PROPRIETARY NOTE  
THIS DOCUMENT CONTAINS CONFIDENTIAL AND PROPRIETARY INFORMATION AND ALL DESIGN, MANUFACTURING, REPRODUCTION, USE, PATENT RIGHTS AND SALES RIGHTS ARE EXPRESSLY RESERVED BY SAMTEC, INC. THIS DOCUMENT SHALL NOT BE DISCLOSED, IN WHOLE OR PART, TO ANY UNAUTHORIZED PERSON OR ENTITY NOR REPRODUCED, TRANSFERRED OR INCORPORATED IN ANY OTHER PRODUCT IN ANY MANNER WITHOUT THE EXPRESS WRITTEN CONSENT OF SAMTEC, INC.

MATERIAL: DO NOT SCALE DRAWING SHEET SCALE: 3:2  
INSULATOR: LCP; BLACK  
CONTACT: PHOS BRONZE

520 PARK EAST BLVD. NEW ALBANY, IN 47150  
PHONE: 812-944-6733 FAX: 812-948-5047  
e-Mail: info@SAMTEC.com code: 53322

DESCRIPTION:  
2mm PC104+ COMPLIANT PIN SOCKET

DWG. NO. PTHF-1XX-XX-XX-Q-368

BY: T.WERNE 12/05/2000 SHEET 1 OF 1