

REV. BR

UNLESS OTHERWISE NOTED  
 DIMENSIONS ARE IN INCHES TOLERANCES ARE:  
 ONE PLACE DECIMALS ± .1 [2.5] THREE PLACE DECIMALS ± .005 [.13]  
 TWO PLACE DECIMALS ± .01 [.3] FOUR PLACE DECIMALS ± .0010 [.025] ANGLES ± 1°

TITLE: 2mm C.L. SHROUDED TERMINAL STRIP TO MATE WITH CABLE  
 DWG NO: STMM-1XX-XX-XX-D-XX-XX  
 SHEET 2 OF 3

IN PROCESS 3  
 (-T PLATING ONLY)

| TABLE 4 (-T PLATING ONLY) |   |       |
|---------------------------|---|-------|
| LEAD STYLE                | NUMBER OF BAND MARKS ALLOWED IN THE POST AREA |       |
|                           | PIN A   | PIN B |
| *-01                      | 0   | 0     |
| *-01-RA                   | 0   | 0     |
| *-01-SM                   | 0   | 0     |
| *-02                      | 0   | 0     |
| *-02-RA                   | 0   | 0     |
| *-02-SM                   | 0   | 0     |

\* PINS TO BE FLIPPED OPPOSITE OF SELECTIVE PLATING BEFORE BEING INSERTED

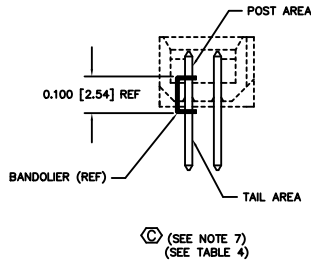


FIG. 3  
 -SM: SURFACE MOUNT  
 DIFFERENT AS SHOWN OTHERWISE SAME AS FIG. 1

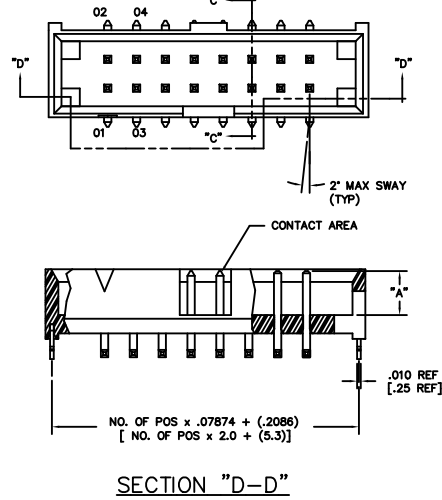
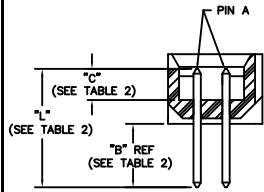
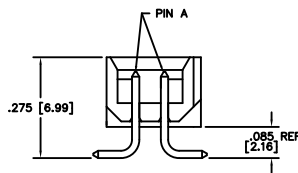


TABLE 2

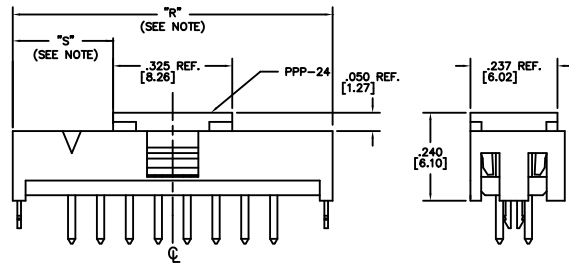
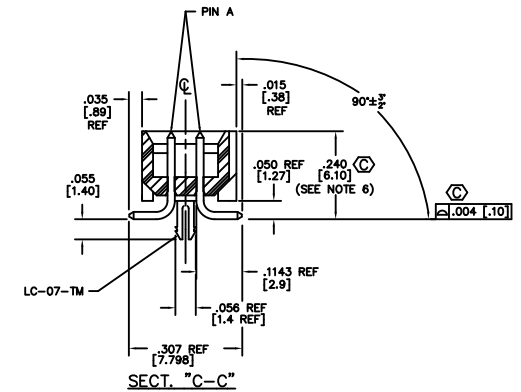
|               | LEAD STYLE | "A"         | "B" REF    | "C"         | PIN #1         | "L" REF TERMINAL LENGTH |
|---------------|------------|-------------|------------|-------------|----------------|-------------------------|
| SURFACE MOUNT | -01        | .100 [2.54] | .172 [4.4] | .065 [1.65] | T-1S13-07-XX-2 | .302 [7.67]             |
|               | -02        | .120 [3.05] | .173 [4.4] | .085 [2.16] | T-1S13-20-XX-2 | .323 [8.20]             |



IN PROCESS 1



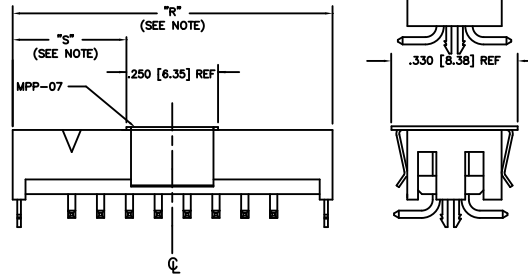
IN PROCESS 2



NOTE: "R" = USED MEASURED DIMENSION (REF)  
 "S" = {( "R" - .325 [8.26] ) / 2} ± .020 [.51]

FIG. 4  
 -P: PICK AND PLACE PAD

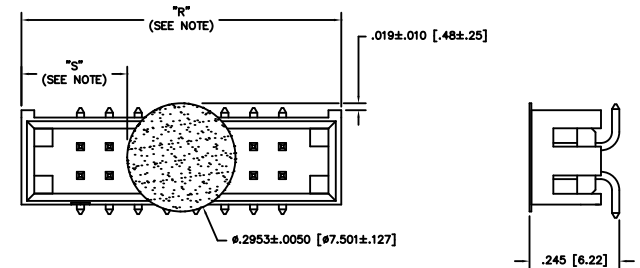
3 POSITION MIN.  
 DIFFERENT AS SHOWN OTHERWISE SAME AS FIG. 1



NOTE: "R" = USED MEASURED DIMENSION (REF)  
 "S" = {( "R" - .250 [6.35] ) / 2} ± .020 [.51]

FIG. 5

-M: METAL PICK AND PLACE PAD  
 -SM OPTION ONLY, 3 POSITION MIN.  
 DIFFERENT AS SHOWN OTHERWISE SAME AS FIG. 1



NOTE: "R" = USED MEASURED DIMENSION (REF)  
 "S" = {( "R" - .2953 [7.50] ) / 2} ± .020 [.51]

FIG. 6

-K OPTION (POLYIMIDE FILM PAD)

**PROPRIETARY NOTE**  
 THIS DOCUMENT CONTAINS INFORMATION CONFIDENTIAL AND PROPRIETARY TO SAMTEC INC. AND SHALL NOT BE REPRODUCED OR TRANSMITTED TO OTHERS OR USED FOR ANY PURPOSE OTHER THAN THAT FOR WHICH IT WAS OBTAINED WITHOUT THE EXPRESSED WRITTEN CONSENT OF SAMTEC INC.

EXISPROD \ASSEMBLY\2MM STMMASM2

**samtec**

520 PARK EAST BLVD. NEW ALBANY, INDIANA 47150  
 PHONE (812) 944-6733 P.O. BOX 1147  
 CODE 55322

MADE BY: BRATCHER 2-21-94

STMM-1XX-XX-XX-D-XX-XX  
 SHEET 2 OF 3