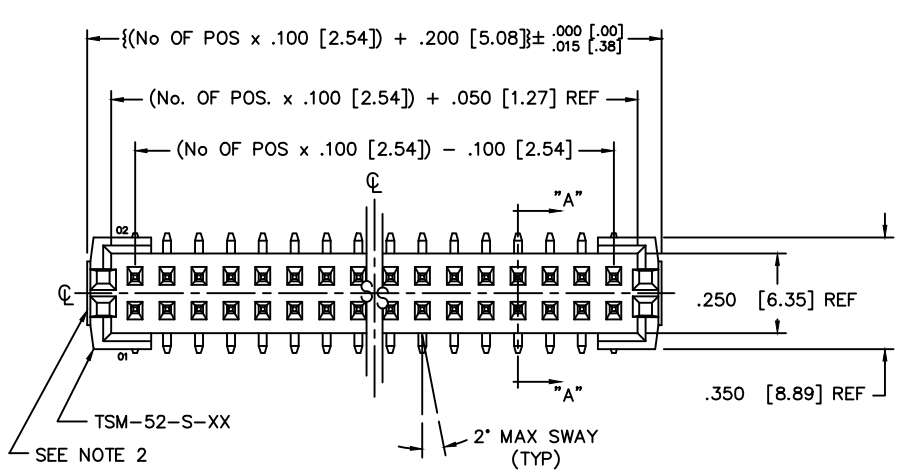


FIG. 1

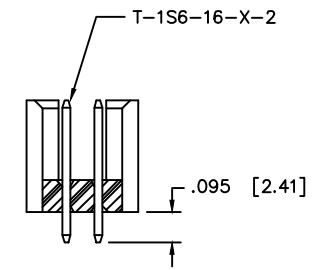
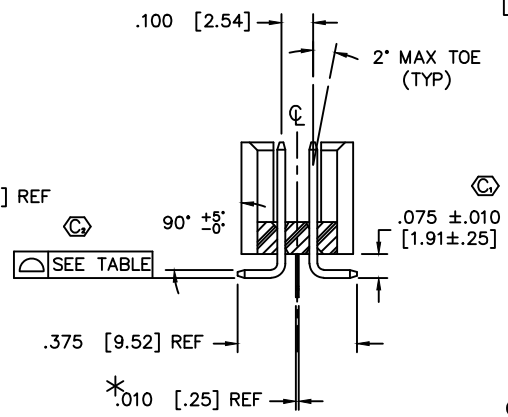
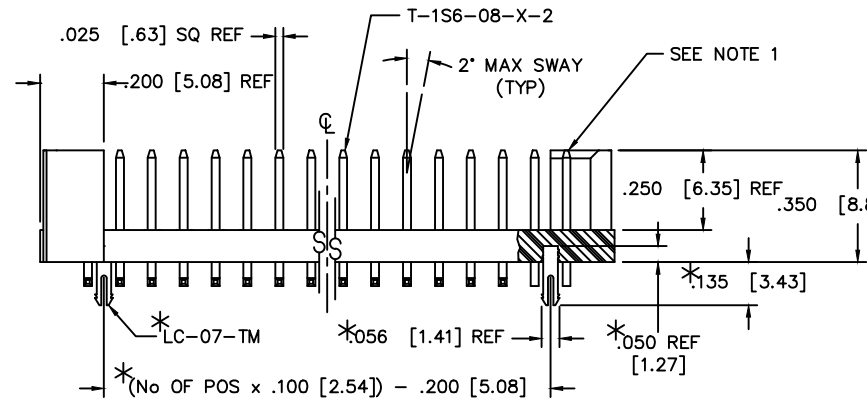
DO NOT SCALE THIS DRAWING



- TSM-1XX-XX-XX-DV-S-XXX-XX
- NO. OF POSITIONS
-02 THRU -36 (PER ROW)
(-02 THRU -04 SEE NOTE 4.)
- LEAD STYLE
-01
- PLATING
- S: 30µ" SELECTIVE GOLD IN CONTACT AREA, MATTE TIN ON TAIL
 - T: MATTE TIN CONTACT AND TAIL
 - G: 10µ" GOLD IN CONTACT AREA, 3µ" GOLD TAIL
 - F: 3µ" FLASH SELECTIVE GOLD IN CONTACT AREA, MATTE TIN ON TAIL
 - L: 10µ" LIGHT SELECTIVE GOLD IN CONTACT AREA, MATTE TIN ON TAIL
 - SM: 30µ" SELECTIVE GOLD IN CONTACT AREA, MATTE TIN ON TAIL
 - TM: MATTE TIN CONTACT AND TAIL
 - FM: 3µ" FLASH SELECTIVE GOLD IN CONTACT AREA, 3µ" GOLD ON TAIL
 - LM: 10µ" LIGHT SELECTIVE GOLD IN CONTACT AREA, MATTE TIN ON TAIL
- ROW SPECIFICATION
-DV: DOUBLE VERTICAL
*-TH: THROUGH HOLE
MOLDED END SHROUDS
- OPTION 2
-LC: LOCKING CLIP (SEE FIG 1) (SEE NOTE 5) (DV ONLY)
-A: ALIGNMENT PIN (SEE FIG 2, SHEET 2) (DV ONLY)
-P: PICK & PLACE PAD USE PPP-06 (SEE FIG 4) (POS. -05 THRU -36 DV ONLY)
-M: METAL PICK & PLACE PAD USE LMP-01 (SEE FIG. 5) (DV ONLY) (-T, -TM PLATING WITH -M AVAILABLE TO EXISTING CUSTOMERS ONLY AS OF REV. R. DO NOT DESIGN IN)
-TR: TAPE & REEL (-05 THRU -28 POS) (DV ONLY)
- OPTION 1
POLARIZED POSITIONS
SPECIFY OMITTED PINS

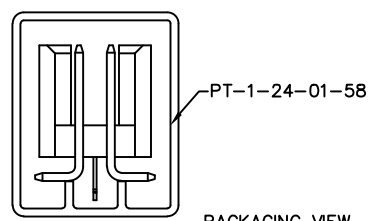
COPLANARITY	
POSITION	
05-10	.004
11-24	.006
25-36	.008

* NOT ENGINEERING APPROVED

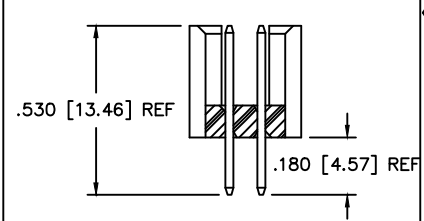


SECT. "A-A"
TH OPTION
(ALL DIMS SAME EXCEPT AS SHOWN)

(*) DIMENSIONS APPLY ONLY WHEN USING THE -LC OPTION.



PACKAGING VIEW
(SEE NOTE 3)



IN-PROCESS
(DV ONLY)

- NOTE:
- TERMINALS TO BE FLUSH TO .010 BELOW TOP OF SHROUD.
 - MAXIMUM CUT FLASH ALLOWED IS .010" IN THIS AREA ONLY.
 - PACKAGE IN PT-1-24-01-58 TUBE WITH TP-13 PLUGS PER TUBE.
 - POS. -02 AND -03 MUST USE MPP-01 OR GRIPPERS WILL BE USED INSTEAD OF VACUUM.
 - DUE TO THE HIGH AMOUNT OF INSERTION FORCE NEEDED, THE -LC OPTION IS NOT COMPATIBLE WITH AUTO PLACEMENT. SAMTEC RECOMMENDS MANUAL PLACEMENT FOR ALL ASSEMBLIES WITH THE -LC OPTION.
 - (⊗) REPRESENTS A CRITICAL DIMENSION.
 - INSULATOR MATERIAL: BLACK, LCP, UL 94 VO

PROPRIETARY NOTE
THIS DOCUMENT CONTAINS INFORMATION CONFIDENTIAL AND PROPRIETARY TO SAMTEC INC AND SHALL NOT BE REPRODUCED OR TRANSMITTED TO OTHER DOCUMENTS OR DISCLOSED TO OTHERS OR USED FOR ANY PURPOSE OTHER THAN THAT FOR WHICH IT WAS OBTAINED WITHOUT THE EXPRESSED WRITTEN CONSENT OF SAMTEC INC.

MISC MKT8
TSM-1XX-XX-XX-DV-S-XXX-XX-MKT1

samtec

520 PARK EAST BLVD. NEW ALBANY, INDIANA 47150
PHONE (812) 944-6733 P.O. BOX 1147
CODE 55322

MADE BY:
BRATCHER 10-30-97

TSM-1XX-XX-XX-DV-S-XXX-XX
SHEET 1 OF 2