

(0,80mm) .0315"

EPLSP SERIES



EPLSP-019-1000

RUGGED LATCHING HIGH SPEED SYSTEM

FEATURES

- Rugged external cable
- Small form factor
- Low profile latching
- Metal-to-metal two-piece contact system
- High mating cycles
- High cable flex life (500 cycles 180° bend)
- Small bend radius

SPECIFICATIONS

For complete specifications see www.samtec.com?EPLSP

Cable:

32 AWG Low Skew Pair/
28 AWG Power

Bend Radius:
(25,40mm) 1.00"

Signal Routing:
100Ω Differential

Pinout Map:
1:1 Map Standard

(See web address above for additional information)

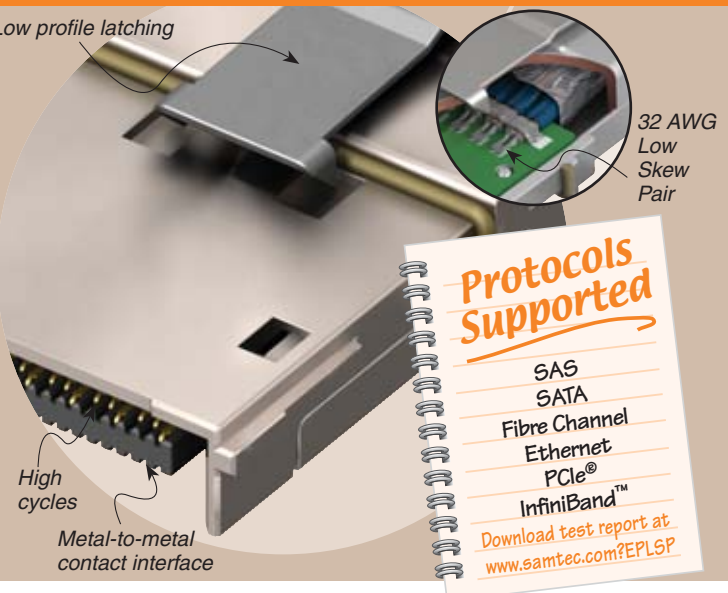
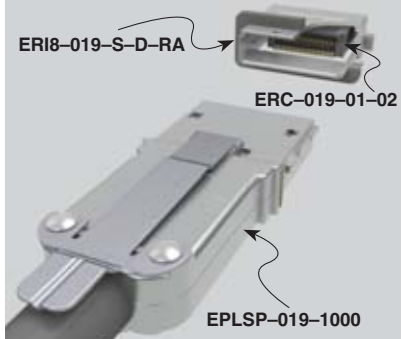
Operating Temp Range:
-20°C to +105°C

RoHS Compliant:
Yes



Low profile latching

APPLICATION



Protocols Supported

- SAS
- SATA
- Fibre Channel
- Ethernet
- PCle®
- InfiniBand™

Download test report at www.samtec.com?EPLSP

TYPE

NO. OF POSITIONS

LENGTH

EPLSP

= Eye Speed® I/O Cable

-019

= 8 Pairs, 5 Power, 2 Clock, 19 positions

-031

= 16 Pairs, 5 Power, 2 Clock, 31 positions

- "XXXX"

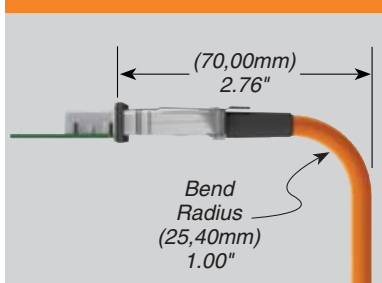
= Length in millimeters
-1000, -2000, -3000
(Contact Samtec for other lengths)

NO. OF POSITIONS	A
-019	(23,85) .939
-031	(32,95) 1.30

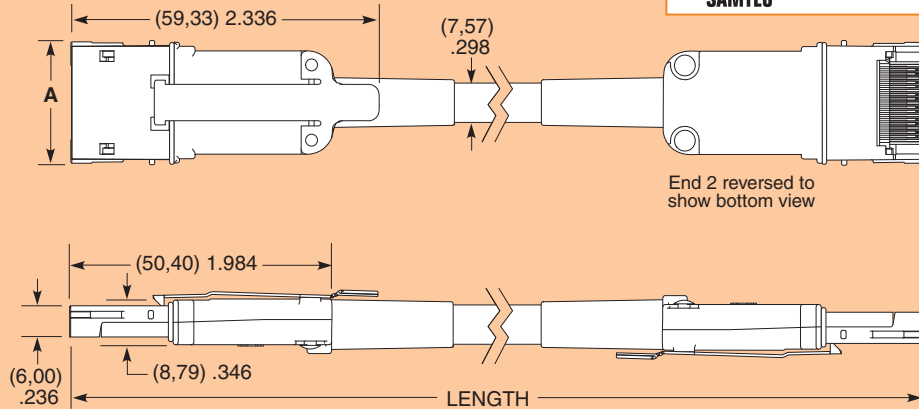


- Edge Rate™ contacts
- Flexible cable
- Positive latching

APPLICATION



Note:
This Series is non-standard, non-returnable.



End 2 reversed to show bottom view

Due to technical progress, all designs, specifications and components are subject to change without notice.

WWW.SAMTEC.COM