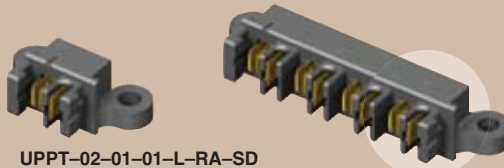




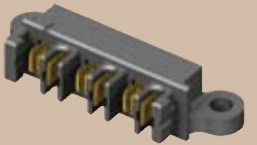
(3,81mm) .150"

UPPT SERIES

UPPT-08-01-01-L-RA-SD



UPPT-02-01-01-L-RA-SD



UPPT-06-01-01-L-RA-SD

HERMAPHRODITIC 15A POWER SYSTEM

SPECIFICATIONS

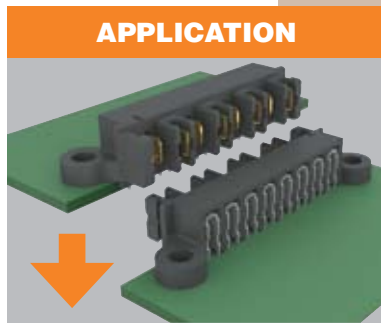
For complete specifications see www.samtec.com?UPPT

- Insulator Material:** Black LCP
- Terminal Material:** Copper Alloy
- Plating:** Sn or Au over 50µ" (1,27µm) Ni
- Operating Temp Range:** -55° to +105°C with Tin; -55° to +125°C with Gold
- Voltage Rating:** 425 VAC/600 VDC
- RoHS Compliant:** Yes
- Lead-Free Solderable:** Yes

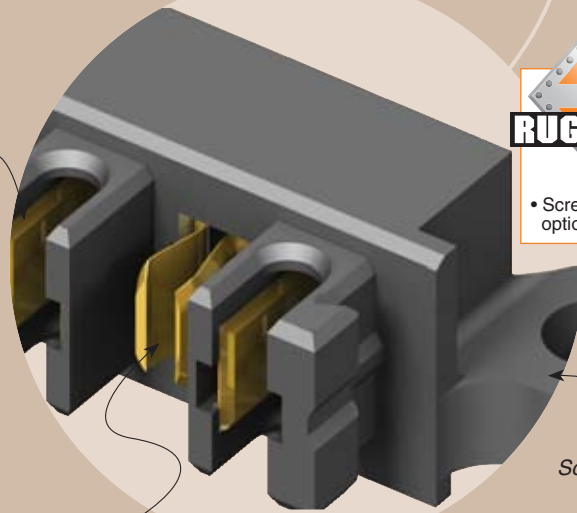


Mates with:
UPPT

Dual leaf contacts



APPLICATION



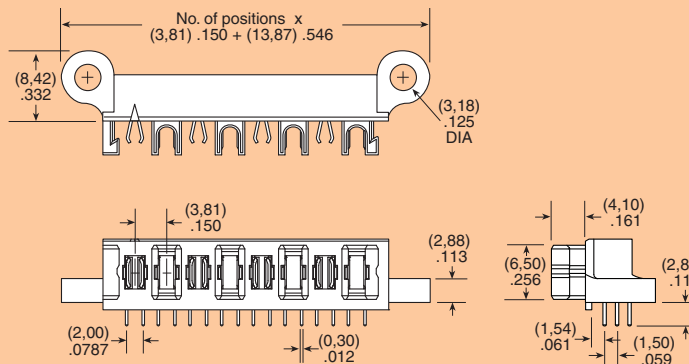
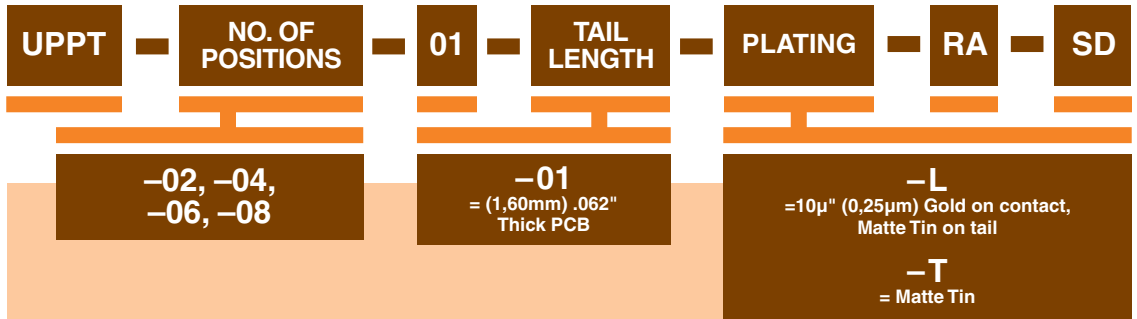
Screw Down

CURRENT RATING		
AMBIENT TEMP	UPPT	
	2 PINS	4 PINS
20°C	37.5A	31.6A
40°C	33.7A	28.5A
60°C	29.5A	24.9A
95°C	19.8A	16.9A

-L PLATING

APPLICATION SPECIFIC OPTION

- Solder Leads for (2,36mm) .093" thick board.
- Locking Clip (Manual placement required).
- Tape & Reel Packaging. Call Samtec.



Note: Some sizes, styles and options are non-standard, non-returnable.

Due to technical progress, all designs, specifications and components are subject to change without notice.

WWW.SAMTEC.COM