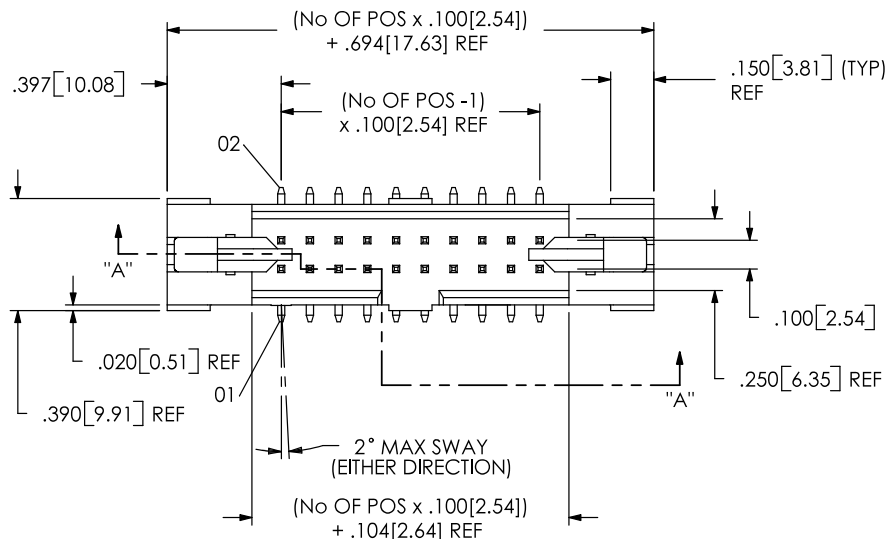


DO NOT SCALE FROM THIS PRINT

EJH-1XX-01-XX-D-XX-XX-XX



- No OF POSITIONS**  
-05, -07, -10, -08, -13, -15, -20, -25
- LEAD STYLE**  
-01
- PLATING SPECIFICATION**  
-S: SELECTIVE GOLD (USE T-1S6X-XX-S-X)  
-F: FLASH SELECTIVE GOLD (USE T-1S6X-XX-F-X)  
**K** -SM: SELECTIVE HEAVY GOLD (USE T-1S6X-XX-S-X)  
**K** -FM: FLASH SELECTIVE GOLD, MATTE TIN TAIL (USE T-1S6X-XX-F-X)

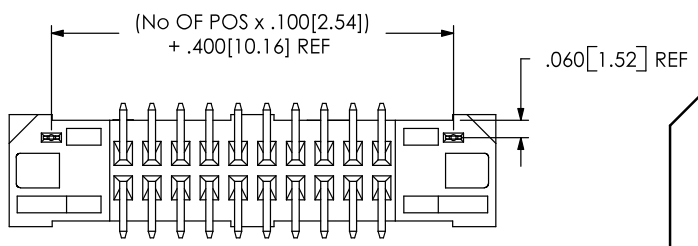
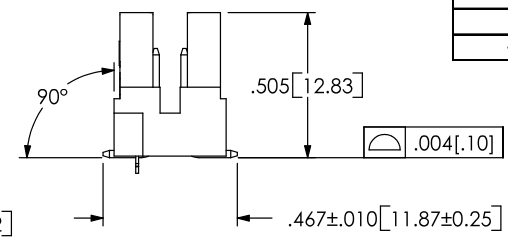
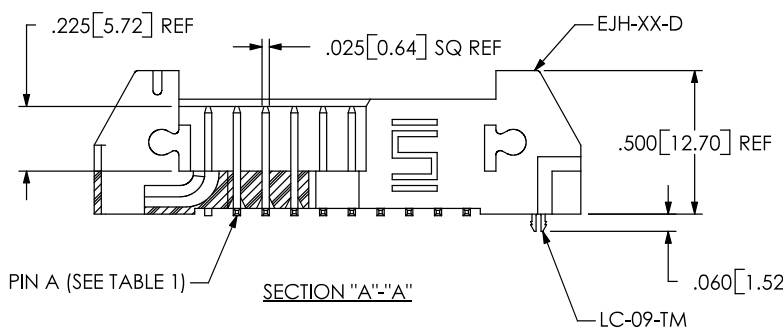
- OPTION**  
-LC: LOCKING CLIP (FOR -SM ONLY)  
-P: PICK & PLACE PAD (FOR -SM ONLY) (USE PPP-50, SEE FIGURE 6, SHEET 3)  
-K: POLYAMIDE FILM (SEE FIG. 3, SHEET 3) (USE K-850-650)  
-TR: TAPE & REEL PACKAGING (SEE FIG. 7, SHEET 3) (FOR -SM-P, & -SM-K ONLY) (NOT AVAILABLE ON -SM-LC) (NOT AVAILABLE ON -25 POSITION)

- POLARIZED OPTION**  
-XX = PIN OMITTED

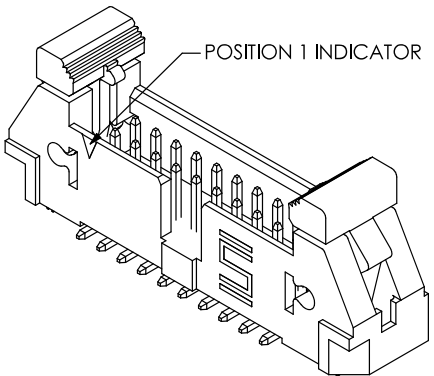
- TAIL OPTION**  
-SM: SURFACE MOUNT (SEE FIG. 1)  
-TH: THROUGH HOLE (SEE FIG. 8, SHEET 2)  
-RA: RIGHT ANGLE (SEE FIG. 9, SHEET 2)

- ROW SPECIFICATION**  
-D: DOUBLE

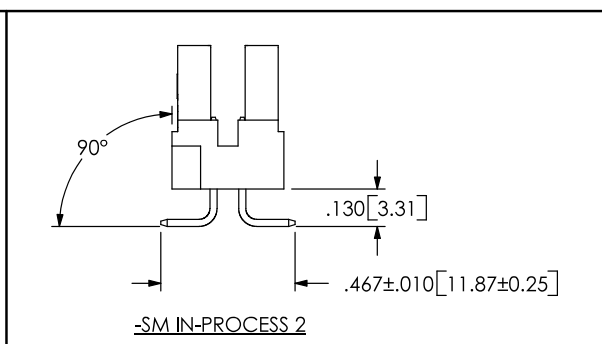
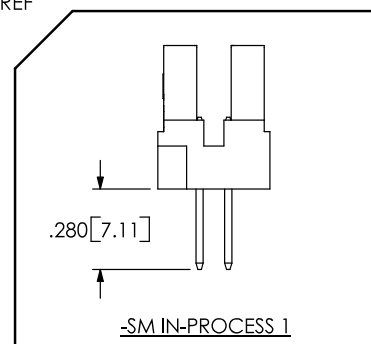
TAIL OPTION	PIN A	PIN B
-SM	T-1S6-08-XX-2	--
-TH	T-1S6-22-XX-2	--
-RA	T-1S64-01-XX	T-1S64-02-XX



**FIG. 1**  
EJH-110-01-X-D-SM-LC SHOWN



- NOTES:
- ⊙ REPRESENTS A CRITICAL DIMENSION.
  - COPLANARITY TO BE: .004 MAX FOR POSITIONS -05 THRU -10  
.006 MAX FOR POSITIONS -15 THRU -25
  - BURR ALLOWANCE: .0015 MAX.
  - MINIMUM PUSHOUT FORCE: 1 LB MIN.
  - MAXIMUM ALLOWABLE BOW: .002 INCH/INCH AFTER ASSEMBLY.
  - PARTS TO BE TUBED WITH EJECTOR ARMS IN THE UP POSITION AS SHOWN.
  - REPRESS TO DIMENSION SHOWN.
  - NOTE DELETED.
  - MEASURE FROM THE TIPS OF THE TERMINALS.



UNLESS OTHERWISE SPECIFIED, DIMENSIONS ARE IN INCHES.  
TOLERANCES ARE:  
DECIMALS ANGLES  
.XX: ±.01 [.3]  
.XXX: ±.005 [.13]  
.XXX: ±.0020 [.051]

**PROPRIETARY NOTE**  
THIS DOCUMENT CONTAINS INFORMATION CONFIDENTIAL AND PROPRIETARY TO SAMTEC, INC. AND SHALL NOT BE REPRODUCED OR TRANSFERRED TO OTHER DOCUMENTS OR DISCLOSED TO OTHERS OR USED FOR ANY PURPOSE OTHER THAN THAT WHICH IT WAS OBTAINED WITHOUT THE EXPRESSED WRITTEN CONSENT OF SAMTEC, INC.

**SAMTEC**

520 PARK EAST BLVD, NEW ALBANY, IN 47150  
\* PHONE: 812.944.6733 FAX: 812.948.5047  
e-Mail: INFO@SAMTEC.COM CODE: 55322

**MATERIAL:** DO NOT SCALE DRAWING  
INSULATOR: VECTRA E130i, COLOR: BLACK  
TERMINAL: PHOS BRONZE 510 3/4 HARD



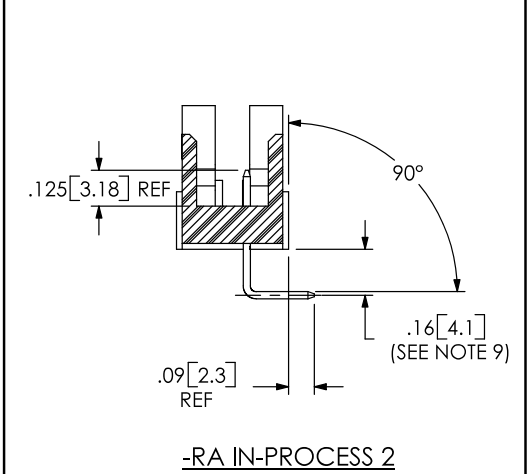
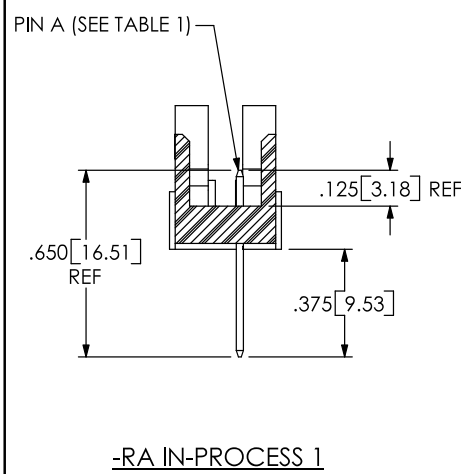
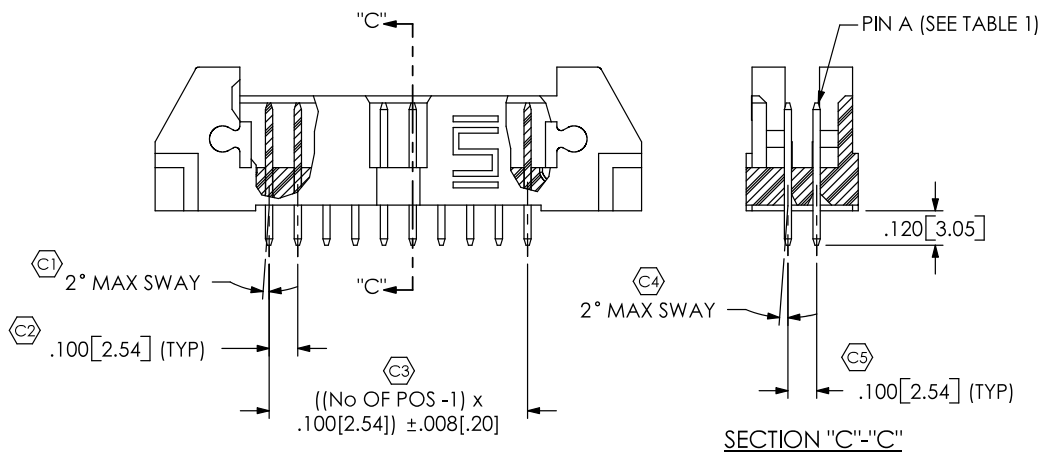
SHEET SCALE: 1.5:1  
DESCRIPTION:  
.100 x .100 EJECTOR HEADER ASSEMBLY

DWG. NO.  
**EJH-1XX-01-XX-D-XX-XX-XX**

BY: ERIC M. 09/19/01 SHEET 1 OF 3

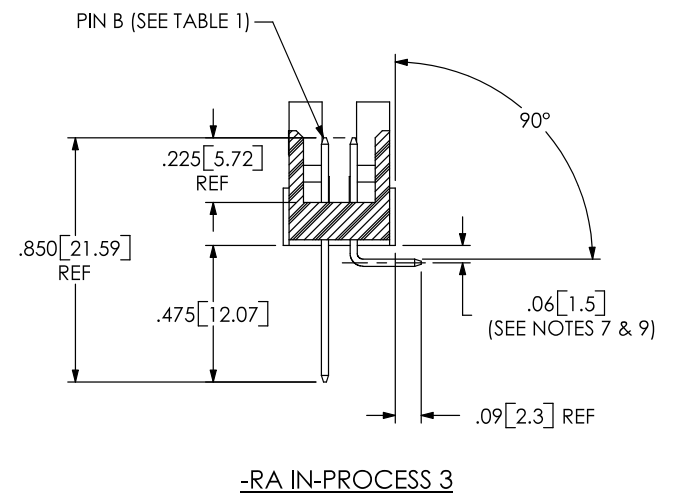
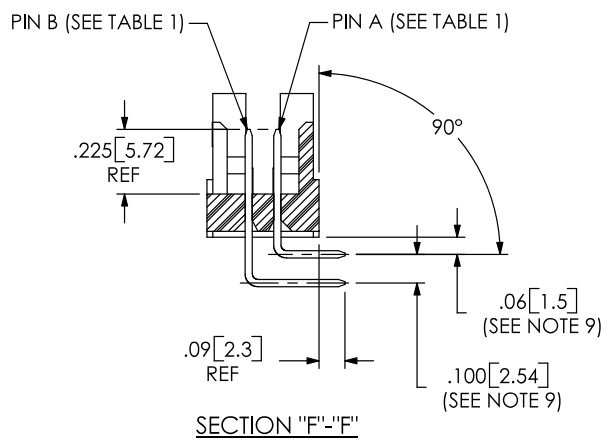
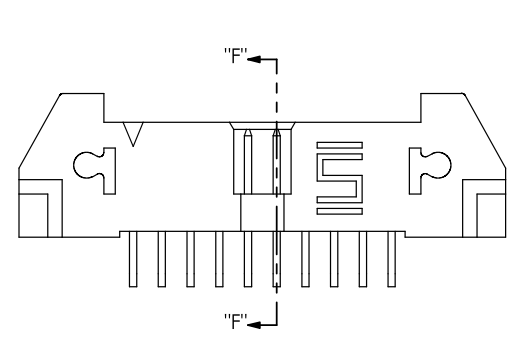
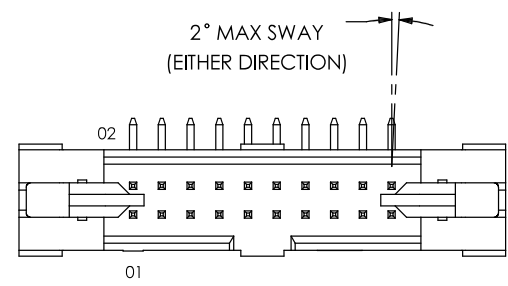
**FIG. 8**

EJH-110-01-X-D-TH SHOWN  
[DIFFERENT AS SHOWN, OTHERWISE SAME AS FIG. 1]



**FIG. 9**

EJH-110-01-X-D-RA SHOWN  
[DIFFERENT AS SHOWN, OTHERWISE SAME AS FIG. 1]



**PROPRIETARY NOTE**  
THIS DOCUMENT CONTAINS INFORMATION CONFIDENTIAL AND PROPRIETARY TO SAMTEC, INC. AND SHALL NOT BE REPRODUCED OR TRANSFERRED TO OTHER DOCUMENTS OR DISCLOSED TO OTHERS OR USED FOR ANY PURPOSE OTHER THAN THAT WHICH IT WAS OBTAINED WITHOUT THE EXPRESSED WRITTEN CONSENT OF SAMTEC, INC.

DO NOT SCALE DRAWING  
SHEET SCALE: 1.5:1

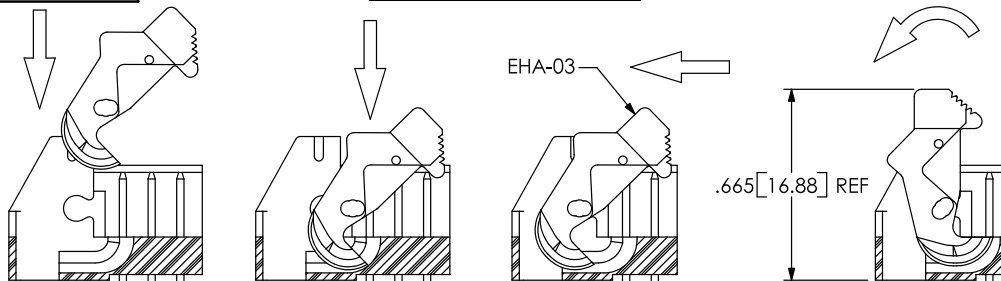
**SAMTEC**

520 PARK EAST BLVD, NEW ALBANY, IN 47150  
\* PHONE: 812.944.6733 FAX: 812.948.5047  
e-Mail: [INFO@SAMTEC.COM](mailto:INFO@SAMTEC.COM) CODE: 55322

DESCRIPTION:  
.100 x .100 EJECTOR HEADER ASSEMBLY  
DWG. NO.  
**EJH-1XX-01-XX-D-XX-XX-XX**  
BY: ERIC M. 09/19/01 SHEET 2 OF 3

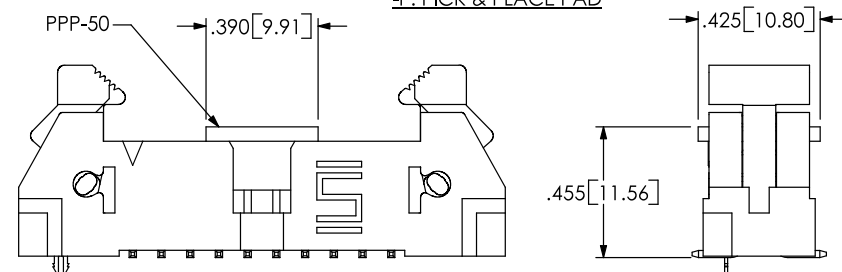
REVISION K

**FIG. 2**  
ARM ASSEMBLY & ROTATION

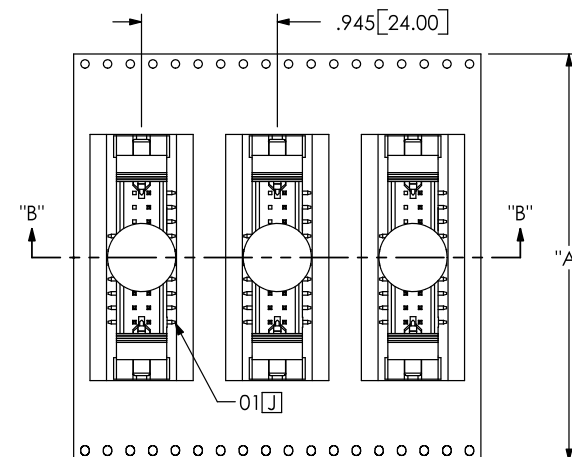
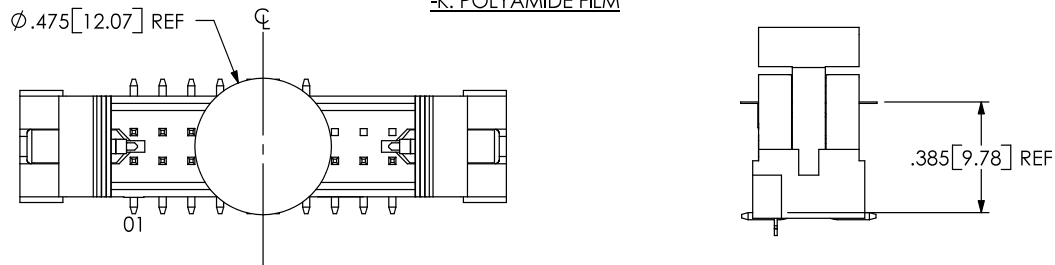


**FIG. 6**

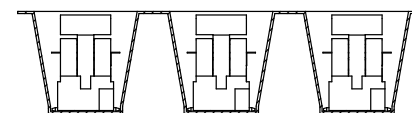
-P: PICK & PLACE PAD



**FIG. 3**  
-K: POLYAMIDE FILM



USER DIRECTION OF UNREELING  
POCKET NOT DETAILED



SECTION "B"- "B"  
SCALE 0.75 : 1

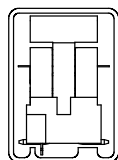
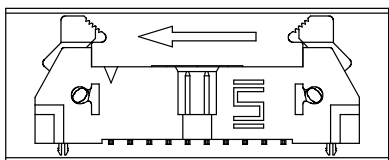
TABLE 2	
No OF POS	"A"
-05	2.205 [56.00]
-07	2.205 [56.00]
-10	2.835 [72.00]
-15	3.465 [88.00]
-20	3.465 [88.00]

**FIG. 7**  
**-TR TAPE & REEL PACKAGING**

TOTAL PARTS PER REEL: 125

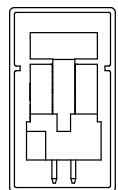
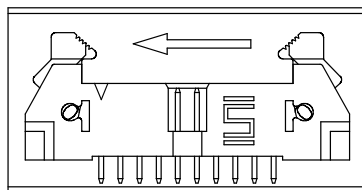
F:\DWG\MISC\MKTG\EJH-1XX-01-XX-D-XX-XX-XX-MKT.SLDRW

**PACKAGING TUBE VIEWS**



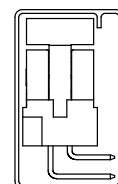
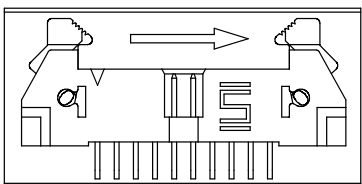
**FIG. 4**  
SURFACE MOUNT  
(SEE NOTE 6)

TUBE: PT-1-24-01-121  
PLUG: TP-13



**FIG. 5**  
THROUGH HOLE  
(SEE NOTE 6)

TUBE: PT-1-24-02-74  
PLUG: TP-26



**FIG. 10**  
RIGHT ANGLE  
(SEE NOTE 6)

TUBE: PT-1-24-01-131  
PLUG: TP-26

**PROPRIETARY NOTE**

THIS DOCUMENT CONTAINS INFORMATION CONFIDENTIAL AND PROPRIETARY TO SAMTEC, INC. AND SHALL NOT BE REPRODUCED OR TRANSFERRED TO OTHER DOCUMENTS OR DISCLOSED TO OTHERS OR USED FOR ANY PURPOSE OTHER THAN THAT WHICH IT WAS OBTAINED WITHOUT THE EXPRESSED WRITTEN CONSENT OF SAMTEC, INC.

DO NOT SCALE DRAWING

SHEET SCALE: 1.5:1

**SAMTEC**

520 PARK EAST BLVD, NEW ALBANY, IN 47150  
\* PHONE: 812.944.6733 FAX: 812.948.5047  
e-Mail: [INFO@SAMTEC.COM](mailto:INFO@SAMTEC.COM) CODE: 55322

DESCRIPTION:  
.100 x .100 EJECTOR HEADER ASSEMBLY

DWG. NO.  
**EJH-1XX-01-XX-D-XX-XX-XX**

BY: ERIC M. 09/19/01 SHEET 3 OF 3