







: ± ") !D L L C D H C B  
 D C K 9 F 7 C A 6 C C D H C B G  
 E A G (\$) & \$ \* + ) ! L ! 8 ! D 7 ( G < C K B  
 f G 5 A 9 5 G : ± " % Z I B @ G G C H 9 F K @ 9 G H 5 H 8 L  
 C B C H 5 J 5 @ 5 6 @ K + k 1 5 Z I ; D C F ! ? C D H C B Z 5 J 5 @ 5 6 @ C B @ 5 8 G M @ 9 G ! \$ ) + / ! \$ \* + ) C B @ M D  
 f B J 5 @ 5 6 @ C B ! \$ & \* Z ! \$ ) & / ! \$ + , D C G H C B G C B @ M

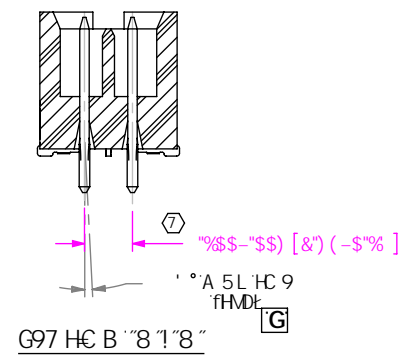
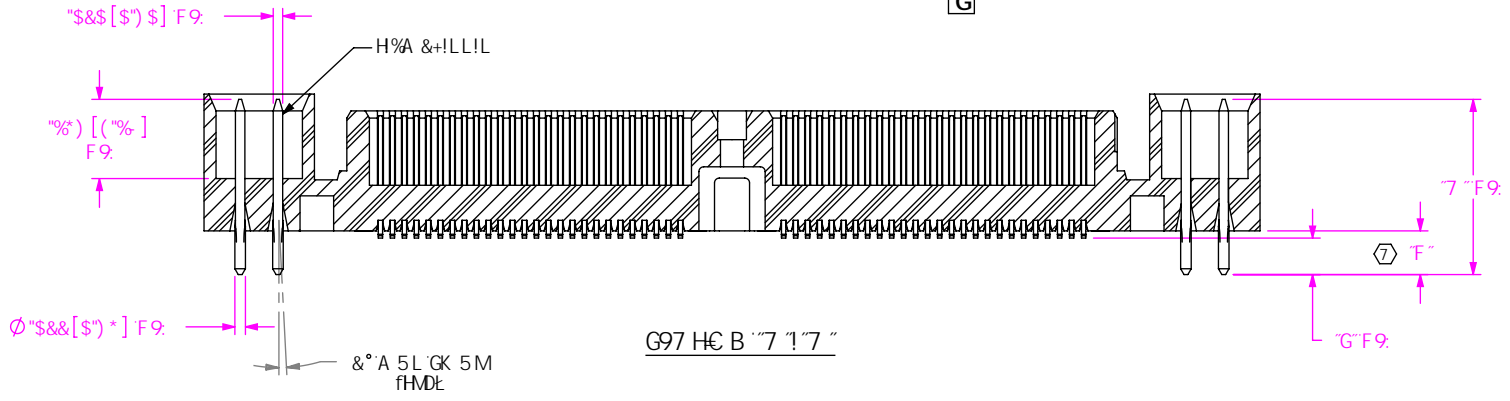
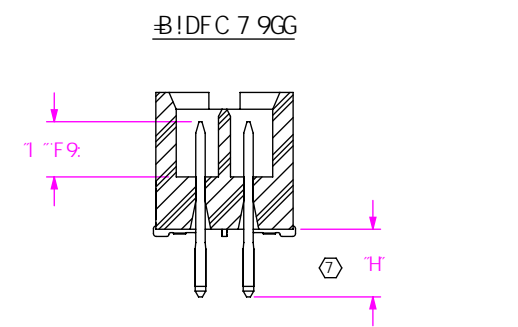
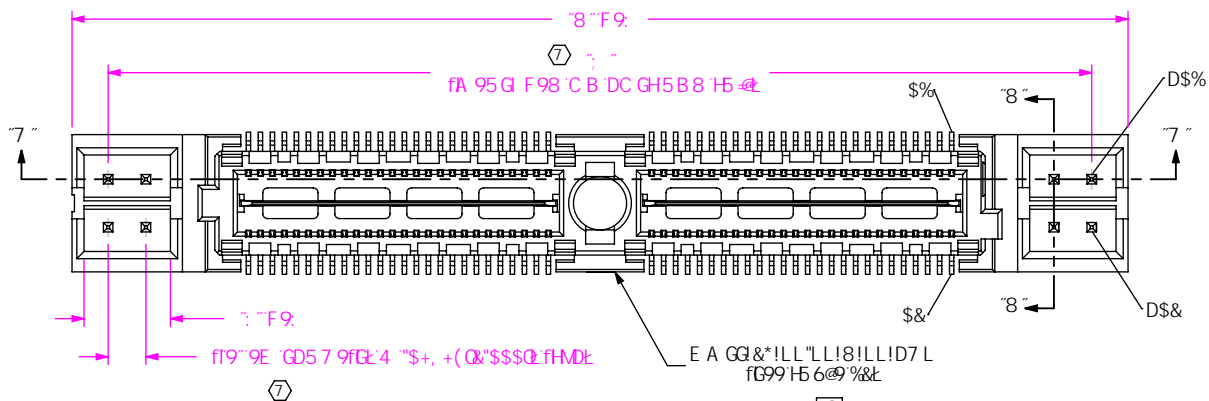


TABLE 10

ASSEMBLY	"D"	"E"	"F"	"G"
QMS-026-XX.XX-X-D-X-PX4	1.360[34.54]	1	.180[4.57]	1.209[30.71]
QMS-026-XX.XX-X-D-X-PX8	1.675[42.55]	3	.337[8.56]	1.524[38.71]
QMS-052-XX.XX-X-D-X-PX4	2.200[55.88]	1	.180[4.57]	2.049[52.04]
QMS-052-XX.XX-X-D-X-PX8	2.515[63.88]	3	.337[8.56]	2.364[60.05]
QMS-078-XX.XX-X-D-X-PX4	3.040[77.22]	1	.180[4.57]	2.889[73.38]

TABLE 12

LEAD STYLE	POWER OPTION	BODY
-06.75	PX4	QMSS-26-06.75-D-XX-PC4
-06.75	PX8	QMSS-26-06.75-D-XX-PC8
-05.75	PX4	QMSS-26-05.75-D-XX-PC4
-05.75	PX8	QMSS-26-05.75-D-XX-PC8

TABLE 11

LEAD STYLE	POWER OPTION	TERMINAL	"C"	"R"	"S"	"T"	"U"
-06.75	PCX	T-1M27-01-S	.365[9.27]	.091[2.31]	.076[1.93]	.132[3.35]	.124[3.15]
-06.75	PTX	T-1M27-03-S	.400[10.16]	.126[3.20]	.111[2.82]	.132[3.35]	.159[4.04]
-05.75	PCX	T-1M27-02-S	.326[8.28]	.091[2.31]	.076[1.93]	.172[4.37]	.079[2.01]
-05.75	PTX	T-1M27-01-S	.365[9.27]	.126[3.20]	.111[2.82]	.172[4.37]	.118[3.00]

D F C D F 9 5 F M B C H 9  
 H : 6 B C 7 1 A 9 8 H 7 C B 1 5 B G B : C F A 5 H C B  
 7 C B : 4 9 8 H 5 9 5 8 8 D F C D F 9 4 5 F M C  
 G S A H 7 2 4 7 5 5 8 G : 5 9 8 B C H 5 9 F 9 0 F C 8 1 7 9 8  
 C F H 5 8 G 9 F 9 8 H C C H : 9 F 8 C 7 1 A 9 8 H C F  
 8 4 7 @ 9 8 H C C H : 9 F G C F 1 9 8 : C F 5 8 M  
 D I F D C 9 C H : 9 F H : 5 B H : 5 H K < 7 < + H K 5 G  
 C 6 1 5 B 9 8 K + C 1 H H : 9 L D F 9 0 9 8 K F H 9 8  
 7 C B 9 8 H C : G S A H 7 2 4 7 5 5 8

8 C B C H G 7 5 @ 8 F 5 K B :

G : 9 9 H G 7 5 @ 9 % S (

) & \$ D 5 F ? 9 5 G H 6 @ 8 2 B 9 K 5 @ 5 B M B ( + ) \$  
 D < C B 9 ; % & L - ( ( ! \* + , - : ; & ' ) ( ) \$ ( +  
 Y I A U J ; } z 4 G S A H 7 2 4 7 5 5 8 W e a ..... W e X Y . ) ' & &

8 9 6 7 F @ H C B :  
 \* \* ' ) a a 8 C I 6 @ F C K H F A B 5 @ G F @

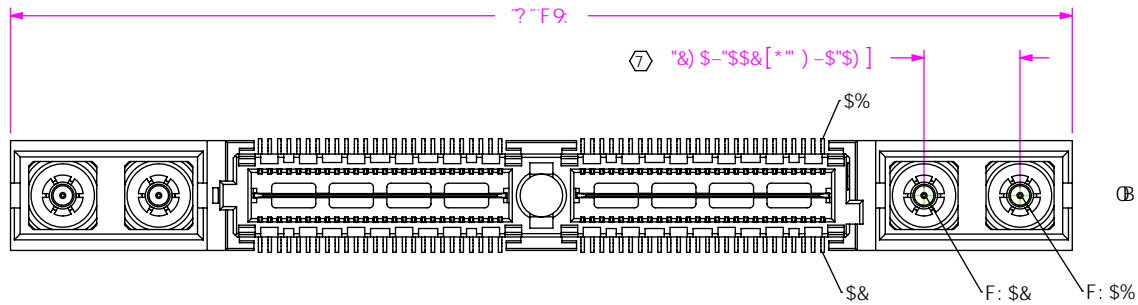
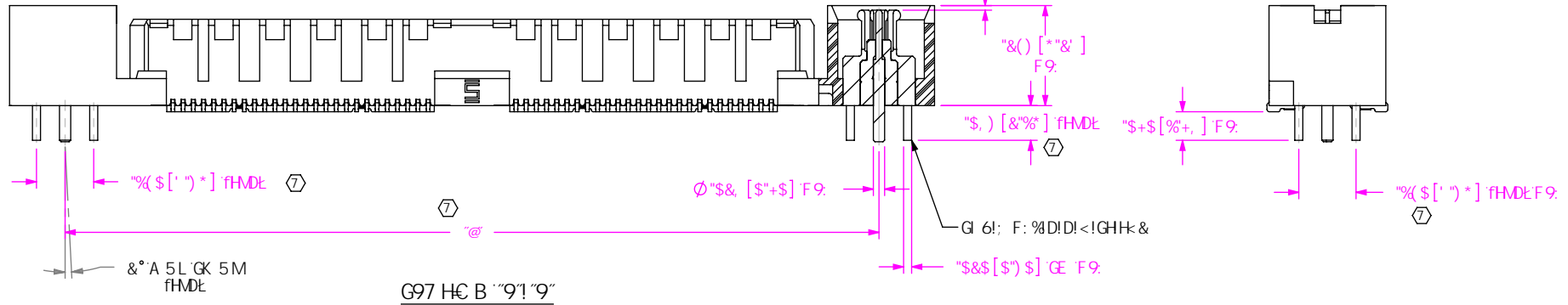
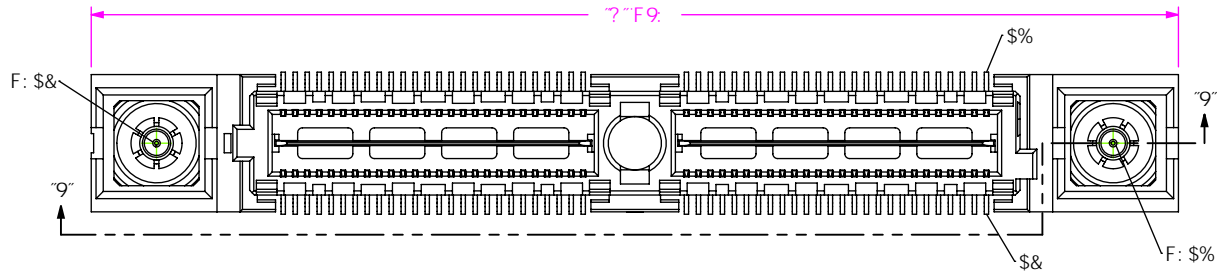
8 K : " B C "

E A G L L L ! L L ! L L ! 8 ! L ! L L L

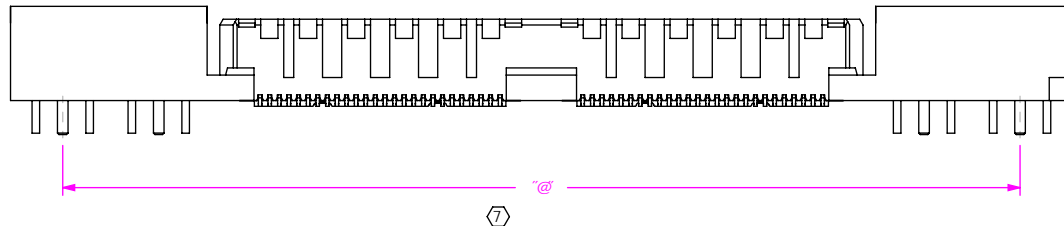
6 M 9 " @ G \* # \$ - # & \$ \$ ' G < 9 9 H ( " C : \*

⊕ ⚬ ⚬ \* !F: %C DHC B  
 E A G\$) &\$) "+" !L!8!F: %G<C K B  
 fG5A 9'5G: ⊕ " %Z! B @GGC H: 9FK ⊕ 9G H5H98L  
 ⊕ C H5J 5 ⊕ 6 ⊕ K ⊕ k !5 ' C F !; D C DHC B z5J 5 ⊕ 6 ⊕ C B ⊕ 58 ' G H M ⊕ ! \$) "+" ' C B ⊕ M  
 fBJ 5 ⊕ 6 ⊕ C B ! \$ & \* z ! \$) & / ! \$ +, ' D C G H C B G C B ⊕ M

TABLE 7			
ASSEMBLY	QMSS-26-05.75-D-XX-RFX	"K"	"L"
QMS-026-05.75-X-D-RF1	QMSS-26-05.75-D-01-RF1	1.425[36.20]	1.153[29.29]
QMS-026-05.75-X-D-RF2	QMSS-26-05.75-D-01-RF2	1.925[48.90]	1.653[41.99]
QMS-052-05.75-X-D-RF1	QMSS-26-05.75-D-02-RF1	2.265[57.53]	1.993[50.62]
QMS-052-05.75-X-D-RF2	QMSS-26-05.75-D-02-RF2	2.765[70.23]	2.493[63.32]
QMS-078-05.75-X-D-RF1	QMSS-26-05.75-D-03-RF1	3.105[78.87]	2.833[71.96]
QMS-078-05.75-X-D-RF2	QMSS-26-05.75-D-03-RF2	3.605[91.57]	3.333[84.66]



⊕ ⚬ ⚬ \* !F: & C DHC B  
 E A G\$) &\$) "+" !L!8!F: & G<C K B  
 fG5A 9'5G: ⊕ " %Z! B @GGC H: 9FK ⊕ 9G H5H98L  
 ⊕ C H5J 5 ⊕ 6 ⊕ K ⊕ k !5 ' C F !; D C DHC B z5J 5 ⊕ 6 ⊕ C B ⊕ 58 ' G H M ⊕ ! \$) "+" ' C B ⊕ M  
 fBJ 5 ⊕ 6 ⊕ C B ! \$ & \* z ! \$) & / ! \$ +, ' D C G H C B G C B ⊕ M



D F C D F 9 H 5 F M B C H 9  
 H: GBC 71A 98H7 C B16 B G B: CFA 5HC B  
 7 C B: 4945 4558 DFC D F 945 F M C  
 GSA H97 z 4 7 5 B 8 G-5 M B C H 4 9 F 90 C 81 7 9 B  
 C F H F 5 B G 9 F 9 8 H C H: 9 F 8 C 7 1 A 9 8 H C F  
 8 4 7 @ 9 8 H C H: 9 F G C F 1 9 8: C F 5 B M  
 D I F D C 9 C H: 9 F H: 5 B H: 5 H K < 7 < H K 5 G  
 C 6 1 6 B 9 8 K H: C I H H: 9 9 L D F 9 0 9 8 K F H 9 8  
 7 C B 9 8 H C: GSA H97 z 4 7 \*

8 C ' B C H G 7 5 @ 8 F 5 K B:

G: 99 H G 7 5 @ 9 % S'

**samtec**  
 ) & S D 5 F? 9 5 G H 6 @ 8 2 B 9 K ' 5 @ 5 B M - B ( + % \$  
 D < C B 9 ; % & L - ( ( ! \* + ' ' ' ' ' ' ' ' ' S L ; % & L - ( , ) \$ ( +  
 Y I A U J ; ⊕ z: 4 G S A H 9 7 ' W c a ' ' ' ' ' ' ' ' ' ' W E X Y . ) ) & &

8 9 G 7 F Δ H C B:  
 " \* " ) a a ' 8 C I 6 @ F C K ' H 9 F A - B 5 @ G F Δ

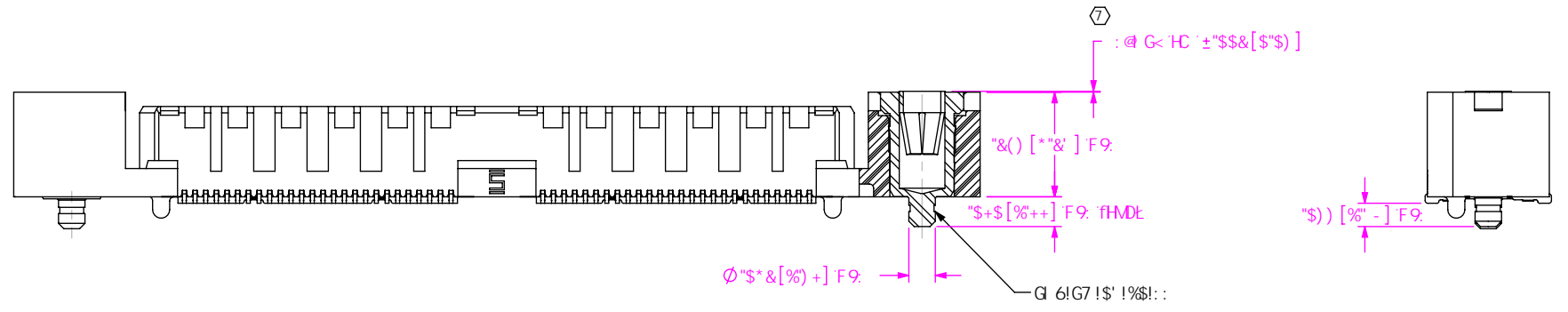
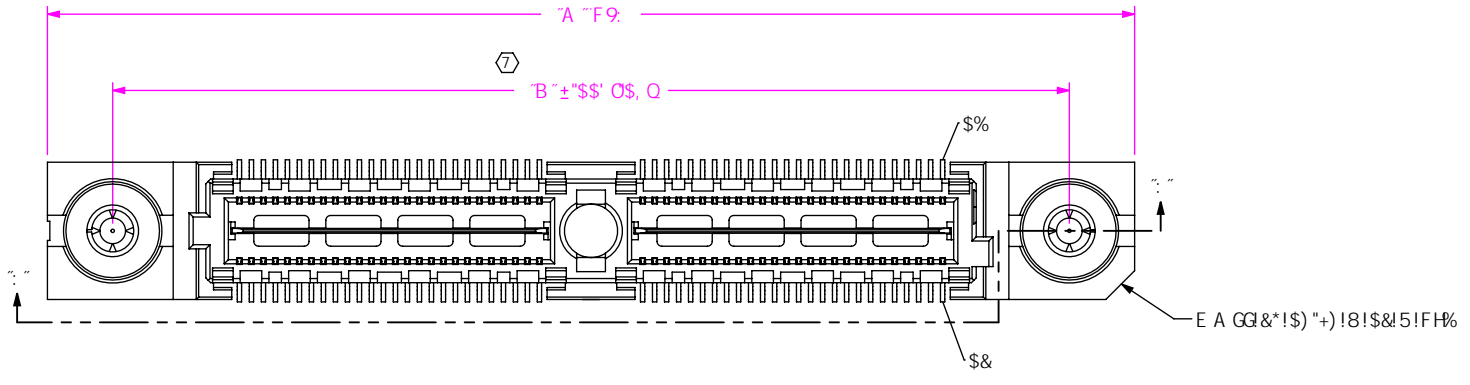
8 K : " B C "

E A G L L L ! L L " L L ! L L ! 8 ! L L L L

6 M ' 9 @ G " \* # \$ - # & \$ \$ ' G < 9 9 H ) " C : \*

IFHC DHCB
E A G(\$)&(\$)+"!|8!5!FH%G<C K B
fG5A 9'5G: ± "%z| B@GGC H:9FK -G9GH-H98L
@C H5J 5 -@5 6@K #k !: Dž!D7L 'CF !F: L 'C DHCBz5J 5 -@5 6@C B @58'GHM@!\$)+"' CB@M
fBJ 5 -@5 6@C B !\$&\*ž!\$) &z!\$+, ž/ '1%\$( 'DC GHCBGK #k: 15'CDHCB'CB@M

TABLE 8
ASSEMBLY QMSS-26-05.75-D-XX-A-RTX "M" "N"
QMS-026-05.75-X-D-A-RT1 QMSS-26-05.75-D-01-A-RT1 1.425[36.20] 1.153[29.29]
QMS-052-05.75-X-D-A-RT1 QMSS-26-05.75-D-02-A-RT1 2.265[57.53] 1.993[50.62]
QMS-078-05.75-X-D-A-RT1 QMSS-26-05.75-D-03-A-RT1 3.105[78.87] 2.833[71.96]
QMS-104-05.75-X-D-A-RT1 QMSS-26-05.75-D-04-A-RT1 3.945[100.20] 3.673[93.29]



G97 HC B "1:" "

DFC.DF-915.FMBC.H9
H:GBC7IA 98H7CBH6BG-B: CFA5HC B
7CB: 898H595B8 DFC DF 945FHMC
GSA H97 2 87 \*5B8 G-5M@BC H69F90FC 81 798
CF HF5BG 9FF98 HC CH:9F 8C7IA 98HC F
8 47 @G98 HC CH:9FGCF I G98: CF 5BM
DI FDC @9 CH:9F H:5B H:5HK <7 < #H 5G
C 615-B 98 K #k C I H:9 9LDF 9098 K F #H8
7CB G98HC: GSA H97 2 87 \*

8C' BCG7 5@ 8F5K #B:
G: 99HG7 5@ 9%'
) &\$ D5F? '95GH6@ 8zB9K' 5 @5BM-B' (+) \$
D<C B9'; %&L - ((! \* + ' : ; < , - . / ) \$ ( +
YIA UJ. ) : 4 GSA H97 Wc a ..... WcXY.)' &&